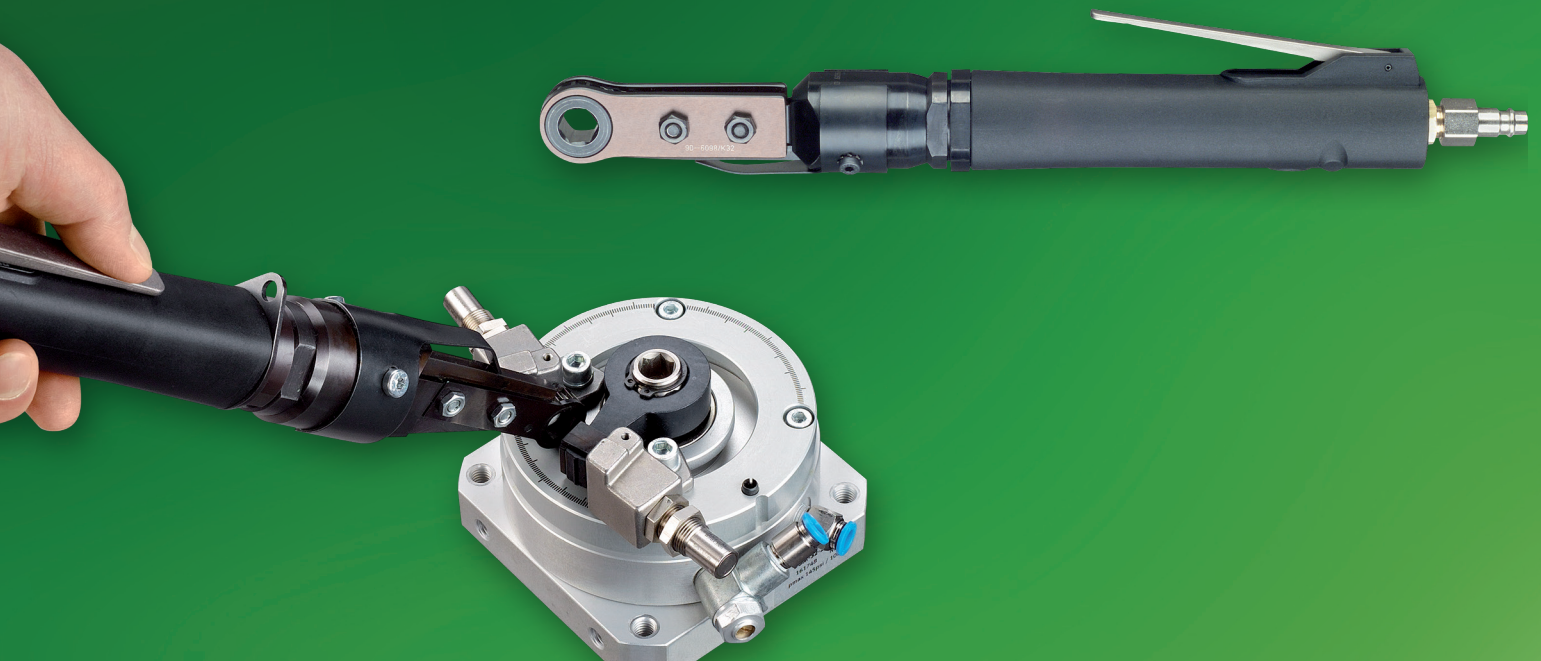


## Handheld Screwdriver pneumatic for special applications



### Flat Head Screwdriver

The solution for restricted spaces

For Screws of M3 (5-mm hex) to M18 (27-mm hex)

- ergonomic
- simple handling
- low noise level
- for work in confined areas

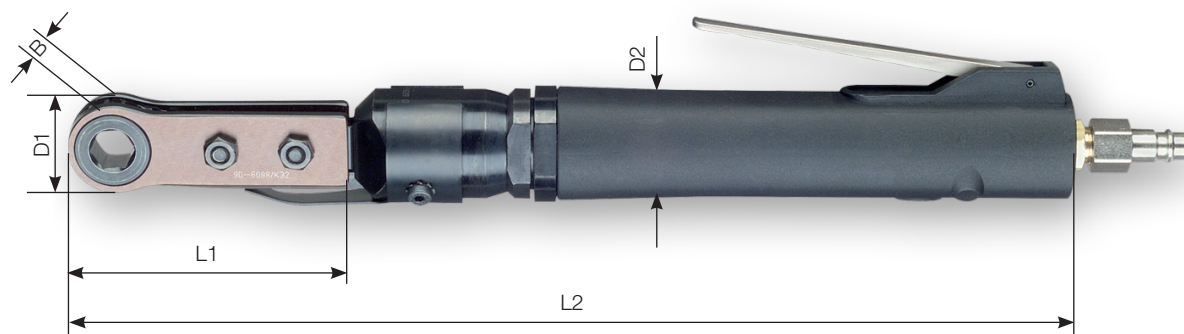
Our flat head screwdrivers are primarily used for screwdriving tasks in confined spaces. The flat head screwdriver comes with exchangeable sockets, even customer specific designs are available. The varying head length enables the screwdriver to adapt to fit any spatial conditions. If air supply is cut off they can also be tightened by hand.

Typical applications for the flat head screwdriver include assemblies of screw caps to hoses and pipes, e.g. in the car manufacturing industry.

As useful accessories, we offer affordable maintenance units, special lubrication oil for air-operated machines, as well as balancers and oil-resistant pressure-hoses.



## TECHNICAL DATA - FLAT HEAD SCREWDRIVER with closed head



Design Version		Motor Size 2	Motor Size 3
Right rotation	<b>Type</b>	<b>39-521-19K</b>	<b>39-331-46K</b>
Lever start	Part no.	391625A	390518N
For screw thread sizes		M 3 - M 6	M 8 - M 18
For hex sizes	mm / in.	5-10/0.195 - 0.400	13-27/0.511-1.06
Speed, idling	rpm	90	110
Torque max. approx.	Nm / in.lbs	8.5 / 75.2	48 / 425
Air consumption	m <sup>3</sup> /min / cfm	0.36 / 12.7	0.4 / 14.1
Head thickness	B mm / in.	9 / 0.35	17 / 0.66
Head diameter	D1 mm / in.	19 / 0.74	46 / 1.8
Grip diameter	D2 mm / in.	30 / 1.17	40 / 1.56
Head length	L1 mm / in.	69 / 2.7	115 / 4.5
Total tool length	L2 mm / in.	319 / 12.5	358 / 14
Noise level	dB(A)	80	83
Weight complete	kg / lbs	1.15 / 2.53	1.7 / 3.74
Hose ID required	mm / in.	6 / 1/4	6 / 1/4
Connection thread		1/8" f	1/4" m

Technical data relate to an air pressure of 6.3 bar (90 PSI)

<b>Included in delivery</b>	Quick connect coupler and hose plug - 1 Socket insert with female hex *)
-----------------------------	--------------------------------------------------------------------------

\*) Please select a socket to suit the screwdriver type from our brochure Inserting Tools D3320E page 16 and add this part to your order.

### Optional Equipment

Exhaust hose, 1 m	Part no.	389653A	-
-------------------	----------	---------	---

# DEPRAG

**DEPRAG SCHULZ GMBH u. CO.**

P.O. Box 1352, D-92203 Amberg, Germany  
 Carl-Schulz-Platz 1, D-92224 Amberg  
 Phone (+49) 9621 371-0, Fax (+49) 9621 371-120  
 www.deprag.com  
 info@deprag.de

CERTIFIED AS PER DIN EN ISO 9001