

# Truck mounted tube bundle puller

## Mef truck

Completely independent tube bundle puller assembled on the truck

**Mef truck**, thanks to the original project of the telescopic rotating column, allows the quick pulling/inserting of the bundle.

Once the truck is positioned, it is easy and **quick to lift** the extractor and to proceed with the extraction.

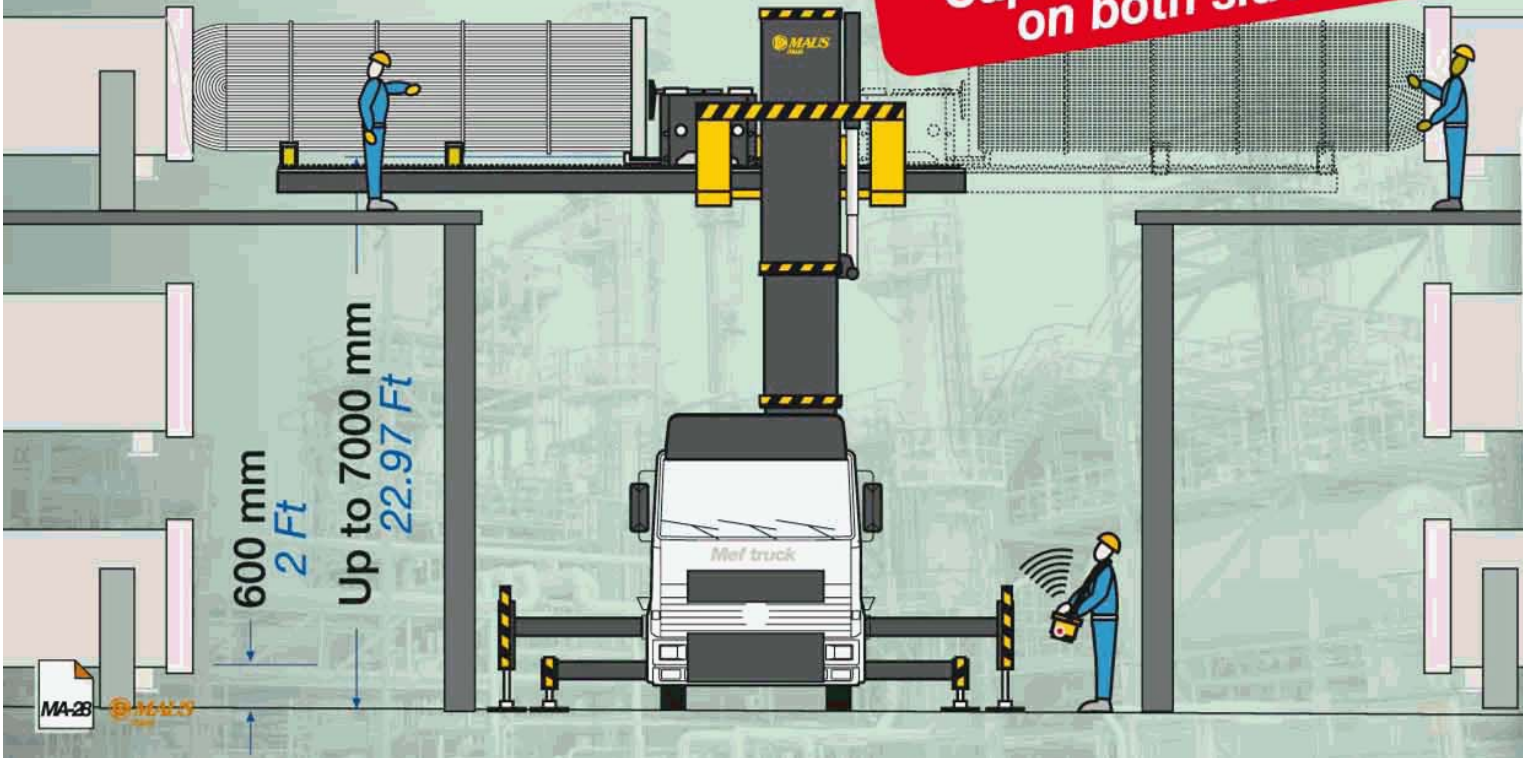
This system is particularly advised for the maintenance companies which operate continuously in the petrochemical plant field



**NO TOW TRUCK**

- Quick pulling**
- Performing and reliable**
- Self propelled**
- completely independent**

**Dual-Use trolley**  
**Capacity of pulling**  
**on both sides**



# Main features

## Mef truck positioning

### Hydraulic stabilizers

Oleodynamic structure with 6 telescopic independent arms

### Rotating telescopic column

Complete lifting system assembled on thrust bearing and having a lifting stroke of 6400mm (21 Ft); 600 ÷ 7000 mm (2÷23 Ft). 90° column rotation is permitting the positioning of the extractor on the same axis of the bundle (working position)

### Extractor frame

The extractor frame is assembled on the lifting fork and it is longitudinally moved by two double effect hydraulic cylinders.

## Pulling/pushing

### Manual trolleys

They grant a safe support during the extraction/insertion of the bundle.

### Pulling/pushing trolley

Bundle extraction on both truck sides thanks to the frame design and especially thanks to the main carriage (complete with anchoring plate on both sides) design with capacity of pulling/pushing on both sides.

## Control

### Proportional remote control

Control on working operations by radio remote control wireless system.

### Manual commands

Emergency push buttons command.



Dual-Use trolley pulling / pushing



Lifting/anchoring plate



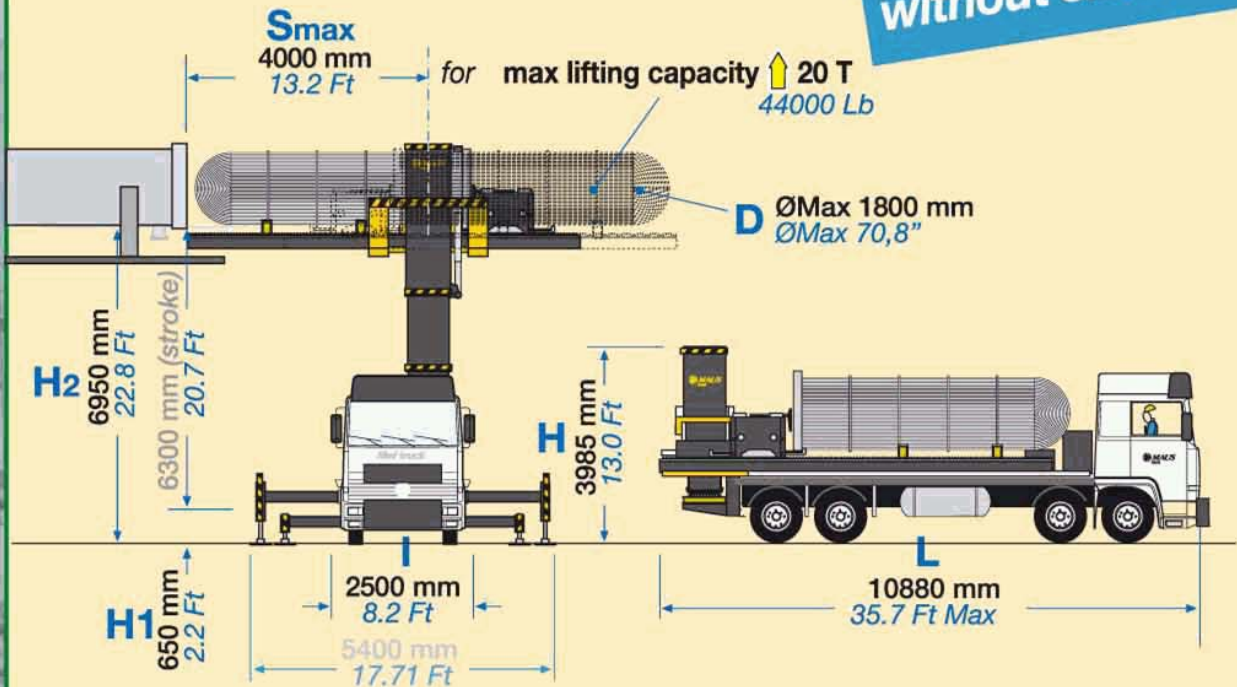
# *Truck mounted tube bundle puller*

## *Mef truck*



# Technical features

Fast extraction  
without shell hooking



Bundles dimensions and max weight				1800 75	
Tube sheet O.D.	D	mm	1800	70.8	
Length		mm Ft	7500	24.6	
Max lifting capacity	↑	T Lb	20	44000	

Overall dimensions and weight				1800 75	
* Truck width	I	mm Ft	2500	8.2	
* Height	H	mm Ft	3985	13.0	
* Length	L	mm Ft	10880	35.7	
Weight		Kg Lb	32900	72500	

Performances/ working capacities				1800 75	
** Ledge	Smax	mm Ft	4000	13.2	
** Bundle elev. (min/max)	H1/H2	mm Ft	650/6950	72550	
** Pulling max speed		m/min Ft/min	2	6.6	
Pulling/pushing force	←	T Lb	40	88000	

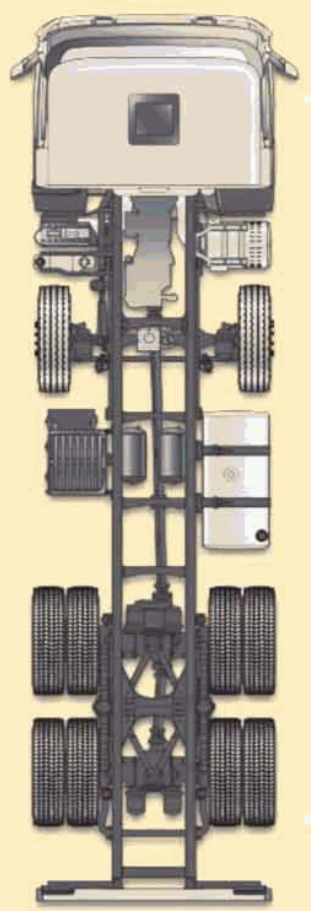
Mef truck is supplied with:

- VOLVO FM13 360 8x4

**Class**  
EURO 4 (standard)  
EURO 5 (optional)

**Engine**  
D13B 13 litre  
inline 6 cylinder  
turbo charged  
intercooler diesel

**Max power**  
360 HP (270KW)  
at 1400-1800 rpm



\* With extractor closed on the truck    \*\* As to truck axis (measure of working position)

\*\* Measuring at the tube sheet bottom