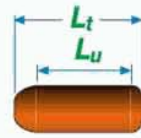


## Mandrino allargatubi a 5 rulli per tubi e curve in acciaio inox a tabelle DIN 11851 e 11852

Tube expander with 5 rolls for stainless steel tubes and bends according to DIN 11851 and 11852 tables  
 Dudgeon évaseur à 5 galets pour tubes et coudes en acier inox suivant DIN 11851 et 11852  
 Selbsttätige Rohrwalze mit 5 Rollen für Rohre und Bögen aus rostfreiem Stahl nach Tabellen DIN 11851 und 11852



| Rulli<br>Rolls<br>Galets<br>Rollen | L <sub>t</sub> |      | L <sub>u</sub> |      |
|------------------------------------|----------------|------|----------------|------|
|                                    | inches         | mm   | inches         | mm   |
| R-DIN 25                           | 0.866          | 22,0 | 0.630          | 16,0 |
| R-DIN 32                           | 0,984          | 25,0 | 0.709          | 18,0 |
| R-DIN 40                           | 1.102          | 28,0 | 0.787          | 20,0 |
| R-DIN 50                           | 1.220          | 31,0 | 0.945          | 24,0 |
| R-DIN 60                           | 1.338          | 34,0 | 1.024          | 26,0 |
| R-DIN 65                           | 1.417          | 36,0 | 1.024          | 26,0 |
| R-DIN 80                           | 1.535          | 39,0 | 1.181          | 30,0 |
| R-DIN 90                           | 1.535          | 39,0 | 1.181          | 30,0 |
| R-DIN 100                          | 1.811          | 46,0 | 1.417          | 36,0 |

Tubo  
Tube  
TUBE  
Rohr

### Mandrinatrici consigliate

Suggested rolling machines  
 Dudgeonneuses conseillées  
 Empfohlene Rohreinwalzanlagen

| de<br>mm<br>inches | sp<br>inches | di<br>mm<br>inches | Espansione<br>Expansion<br>Expansion<br>Walzbereich |       | Mandrino<br>Tube expander<br>Dudgeon<br>Rohrwalzen<br>Cod. | Rulli<br>Rolls<br>Galets<br>Rollen<br>Cod. | Spina<br>Mandrel<br>Broche<br>Dorn<br>Cod. | Elettriche<br>Electrical<br>Electriques<br>elektrisch | Pneumatiche<br>Pneumatic<br>Pneumatiques<br>pneumatisch |                  |                         |              |
|--------------------|--------------|--------------------|---|-------|--|--|--|---|---|------------------|-------------------------|--------------|
|                    |              |                    | inches  | mm    |  |  |  |   |   |                  |                         |              |
| 28,0<br>(1.102")   | 0.039        | 1,00               | 1.024   | 26,0  | 0.945÷1.102  | 24,0÷28,0                                  | DIN/25                                     | R-DIN25   | S-DIN25   | 0.315"<br>(8,0)  | F90<br>M4/V MS/40 MS/60 | Macrol 450   |
| 34,0<br>(1.338")   | 0.039        | 1,00               | 1.260   | 32,0  | 1.181÷1.338  | 30,0÷34,0                                  | DIN/32                                     | R-DIN32   | S-DIN32   | 0.354"<br>(9,0)  | F90<br>M4/L M4/V        | Macrol 450   |
| 40,0<br>(1.575")   | 0.039        | 1,00               | 1.496   | 38,0  | 1.417÷1.575  | 36,0÷40,0                                  | DIN/40                                     | R-DIN40   | S-DIN40-BS 1.1/2"                                       | 0.472"<br>(12,0) | F90<br>M4/L M4/V        | Macrol 450   |
| 52,0<br>(2.047")   | 0.039        | 1,00               | 1.968   | 50,0  | 1.890÷2.047  | 48,0÷52,0                                  | DIN/50                                     | R-DIN50   | S-DIN50-BS 2"   | 0.551"<br>(14,0) | F90<br>M4/L MG/49       | Macrol 200   |
| 60,0<br>(2.362")   | 0.059        | 1,50               | 2.244   | 57,0  | 2.165÷2.362  | 55,0÷60,0                                  | DIN/60                                     | R-DIN60   | S-DIN60   | 0.630"<br>(16,0) | F90<br>M4/L MG/49       | Masterol 180 |
| 70,0<br>(2.756")   | 0.079        | 2,00               | 2.598   | 66,0  | 2.520÷2.716  | 64,0÷69,0                                  | DIN/65                                     | R-DIN65   | S-DIN65-BS 2.1/2"                                       | 0.630"<br>(16,0) | F90<br>MG/49            | Masterol 180 |
| 85,0<br>(3.346")   | 0.079        | 2,00               | 3.189   | 81,0  | 3.110÷3.307  | 79,0÷84,0                                  | DIN/80                                     | R-DIN80   | S-DIN80-BS 3"   | 0.787"<br>(20,0) | F90<br>MG/49            | Masterol 90  |
| 93,0<br>(3.661")   | 0.079        | 2,00               | 3.504   | 89,0  | 3.425÷3.622  | 87,0÷92,0                                  | DIN/90                                     | R-DIN90   | S-DIN90-BS 3.1/2"                                       | 0.866"<br>(22,0) | F90<br>MG/49            | Masterol 90  |
| 104,0<br>(4.094")  | 0.079        | 2,00               | 3.937   | 100,0 | 3.858÷4.055  | 98,0÷103,0                                 | DIN/100                                    | R-DIN100  | S-DIN100-BS 4"  | 0.866"<br>(22,0) | F90<br>MG/36            | Masterol 90  |

## MTT-DIN

### Morsetto per taglio tubi da DIN 25 a DIN 100

Clamping lug for cutting tubes from DIN 25 to DIN 100  
 Mâchoire pour coupe tubes de DIN 25 à DIN 100  
 Klemme für Schnitt der Rohre von DIN 25 bis DIN 100

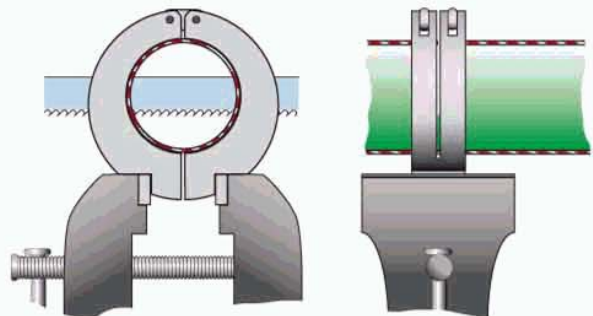


Fig. TE80-F1

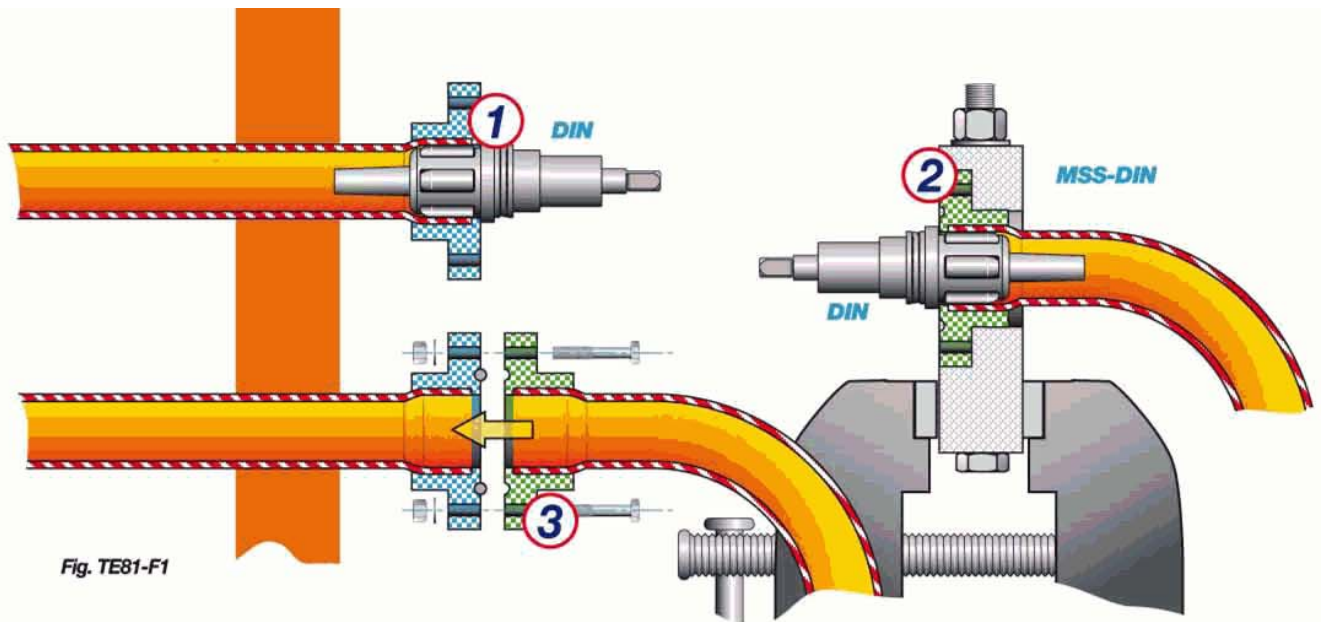


Fig. TE81-F1

## MSS-DIN

Morsetto per serraggio singolo per mandrinare tubi da DIN 25 a DIN 100.

Single clamping lug for rolling tubes from DIN 25 to DIN 100.

Mâchoire pour serrage individuel pour dudgeonner tubes de DIN 25 à DIN 100.

Einfach-Klemme zum Einwalzen von Rohren von DIN 25 bis DIN 100.



| $d_e$<br>mm<br>inches | MTT-DIN<br>Cod. | MSS-DIN<br>Cod. | MSM-DIN<br>Cod. |
|-----------------------|-----------------|-----------------|-----------------|
| 28,0<br>(1.102")      | MTT-DIN/25      | MSS-DIN/25      |                 |
| 34,0<br>(1.338")      | MTT-DIN/32      | MSS-DIN/32      |                 |
| 40,0<br>(1.575")      | MTT-DIN/40      | MSS-DIN/40      |                 |
| 52,0<br>(2.047")      | MTT-DIN/50      | MSS-DIN/50      |                 |
| 60,0<br>(2.362")      | MTT-DIN/60      | MSS-DIN/60      |                 |
| 70,0<br>(2.756")      | MTT-DIN/65      | MSS-DIN/65      |                 |
| 85,0<br>(3.346")      | MTT-DIN/80      | MSS-DIN/80      | R               |
| 93,0<br>(3.661")      | MTT-DIN/90      | MSS-DIN/90      |                 |
| 104,0<br>(4.094")     | MTT-DIN/100     | MSS-DIN/100     |                 |

**R** a richiesta  
on request  
sur demande  
Auf Anfrage

## MSM-DIN

Morsetto per serraggio multiplo per mandrinare tubi da DIN 25 a DIN 50 con bussole intercambiabili.

Multiple clamping lug for rolling tubes from DIN 25 to DIN 50 with interchangeable bushings.

Mâchoire pour serrage multiple pour dudgeonner tubes de DIN 25 à DIN 50 avec douilles interchangeables.

Vielfach-Klemme zum Einwalzen von Rohren von DIN 25 bis DIN 50 mit auswechselbaren Hülse.

