



TWH Lifting clamp

Capacity 1500 - 5000 kg

The TWH lifting clamp, when used in pairs, is well-suited for horizontal transport of individual and bundled plates. The clamp is not suited for thin plates that have a tendency to sag during transport.

It is normally used in combination with a two-legged chain sling.

The capacity (WLL) applies to a pair of lifting clamps.

Optional

- Protective lining

INFO

The angle from the vertical must not exceed 45°.

Technical data TWH

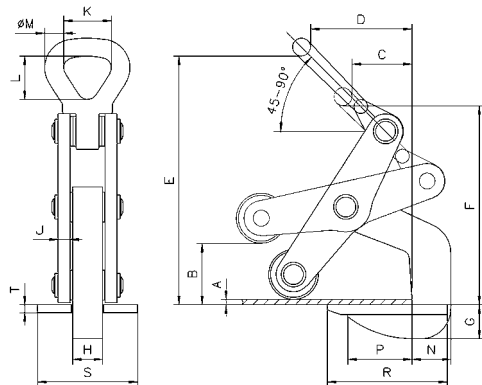
Model	Art.-No.	Capacity ¹ kg	Jaw capacity mm	Weight ² kg
TWH 30 with roller	N54509101	1500	5 - 60	5.6
TWH 50 with roller	N54509102	2500	10 - 70	10.3
TWH 70 with roller	N54509103	3500	10 - 80	13.4
TWH 100 with roller	N54509104	5000	10 - 102	27.7
TWH 30 with plate	N54509105	1500	5 - 60	5.7
TWH 70 with plate	N54509107	3500	10 - 80	13.5

¹Per pair, angle from the vertical max. 45°

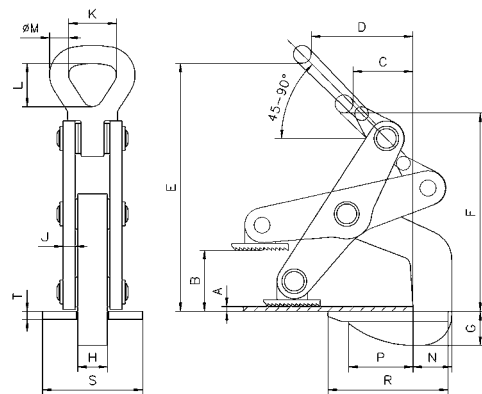
²Per unit

Dimensions TWH

Model	TWH 30 mit Rolle	TWH 50 mit Rolle	TWH 70 mit Rolle	TWH 100 mit Rolle	TWH 30 mit Platte	TWH 70 mit Platte
A, mm	5	10	10	10	5	10
B, mm	60	70	80	102	60	80
C, mm	60	75	90	110	60	90
D, mm	105	130	162	170	105	162
E, mm	250	315	345	425	250	345
F, mm	200	275	292	345	200	292
G, mm	31	45	55	57	22	48
H, mm	30	30	30	45	30	30
J, mm	12	12	15	20	12	15
K, mm	50	64	64	89	50	64
L, mm	73	92	92	130	73	92
Ø M, mm	18	25	25	35	18	25
N, mm	36	58	65	80	36	65
P, mm	65	77	105	120	65	105
R, mm	120	150	185	210	120	185
S, mm	100	100	100	120	100	100
T, mm	10	10	10	12	10	10



TWH with roller



TWH with plate