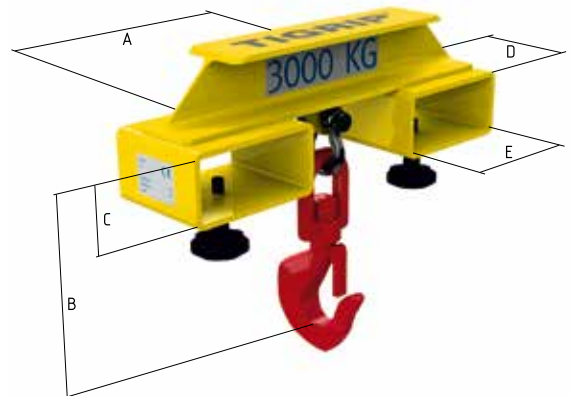


TTS-Z Fork lift cross beam

Capacity 2000 - 3150 kg

The model TTS-Z with two bags is used for forklift tines and has one centered, pivoting eye hook (do not pivot under load). The fork lift cross beam is fastened with two spindles and ensures safety while lifting.



Technical data TTS-Z

Model	Art.-No.	Capacity kg	Overall height B mm	Dim C mm	Dim D mm	Dim E mm	Weight kg
TTS 2,0/Z	N4300000170	2000	246	70	160	150	14.0
TTS 3,15/Z	N4300015315	3150	274	84	160	184	19.0

TZH Tine hook

Capacity 1500 - 5000 kg

For fastening hoisting equipment and loads to single forklift tines. The TZH are pushed onto the forklift tines and are fastened with two spindles. The pivoting as well as swivelling hook with safety latch ensures safety while lifting.



Technical data TZH

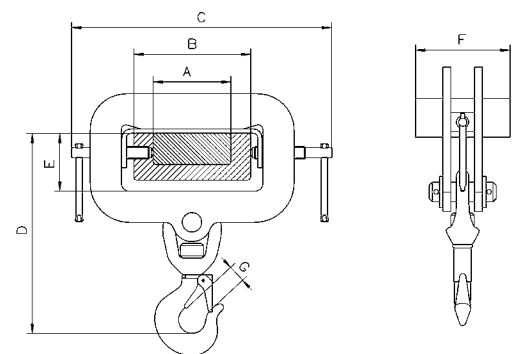
Model	Art.-No.	Capacity kg	Weight kg
TZH 1,5/150	N55100001	1500	7.2
TZH 3,0/150	N55100002	3000	10.8
TZH 5,0/150	N55100004	5000	17.3

Dimensions TZH

Model	TZH 1,5/150	TZH 3,0/150	TZH 5,0/150
A, mm	100	100	100
B, mm	150	150	150
C min., mm	310	350	350
C max., mm	360	400	400
D, mm	260	270	295
E, mm	74	74	74
F, mm	120	120	120
G, mm	25	28	34

INFO

Attention must be paid to the working load limit of the single forklift tines.



TZH, swivel hooks, pivoting and swivelling