

## TSH Screw clamp for vertical and horizontal pulling

### Capacity 750 - 5000 kg

The screw clamp offers many possible applications. It is particularly useful for lifting, turning and pulling steel plates, girders and steel constructions.

The spindle is closed only finger tight.

Once the screw clamp is tightened and lifting begins, the pivoting pad clamping system produces a wedging action against the material, holding it securely (see below functional drawing).

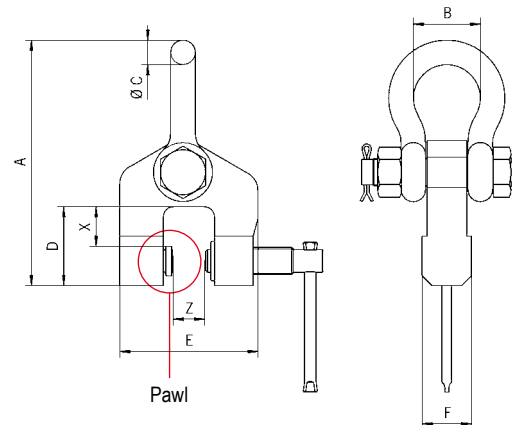


### Technical data TSH

Model	Art.-No.	Capacity kg	Jaw capacity Z mm	Weight kg
TSH 0,75	N51502400	750	0 - 28	3.1
TSH 1,5	N51502401	1500	0 - 32	7.4
TSH 2,0	N51502422	2000	90 - 140	14.8
TSH 2,0 S	N51502428	2000	50 - 100	14.5
TSH 3,0	N51502402	3000	0 - 50	11.4
TSH 5,0	N51502403	5000	0 - 80	27.6

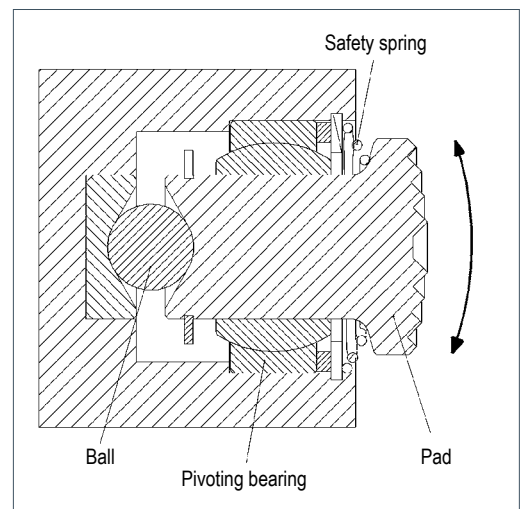
### Dimensions TSH

Model	TSH 0,75	TSH 1,5	TSH 2,0	TSH 2,0 S	TSH 3,0	TSH 5,0
A, mm	190	255	318	318	290	470
B, mm	52	65	74	74	74	130
Ø C, mm	19	26	30	30	30	50
D, mm	43	75	90	90	85	135
E, mm	113	130	286	246	170	225
F, mm	35	44	60	60	50	72
X, mm	15	40	38	38	40	50



## INFO

The plate surface of the material must not exceed a hardness level of HRC 50.



Functional drawing pivoting pad