



TPZ Board clamp

Capacity 400 - 750 kg

The TPZ clamp is made for lifting and vertically transporting wood, particle board and plastic sheets.

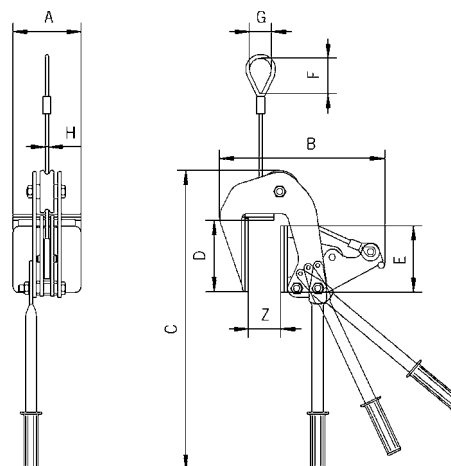
The pliers are fastened to the plate with the aid of a hand-held lever. The jaw, which has a protective lining, grabs once lifting begins and holds the board securely.

Technical data TPZ

Model	Art.-No.	Capacity kg	Jaw capacity Z mm	Weight kg
TPZ 0,4/50	N56200001	400	5 - 50	6.3
TPZ 0,4/100	N56200002	400	50 - 100	9.0
TPZ 0,75/60	N56200003	750	5 - 60	12.0
TPZ 0,75/120	N56200004	750	60 - 120	14.0

Dimensions TPZ

Model	TPZ 0,4/50	TPZ 0,4/100	TPZ 0,75/60	TPZ 0,75/120
A, mm	120	120	155	155
B, mm	290	335	349	406
C, mm	525	525	545	560
D, mm	125	125	145	145
E, mm	117	117	135	135
F, mm	60	60	121	121
G, mm	40	40	75	75
H, mm	6	6	8 x 24	8 x 24



TPZ, up to 400 kg equipped with rope,
from 750 kg equipped with chain.