

THM Manual claw, magnetic

Capacity 120 - 170 kg

The THM manual magnetic claw is used for transporting steel sheets horizontally and vertically, lifting plates from racks, pulling steel sheets out of shelving, as well as transporting flat pieces of magnetizable steel.

The clamp, depending on the type, can be used for plate thicknesses from 1 to 5 mm.

Pressing down on the handle activates a cam which releases the magnetic claw from the workpiece.

This manual claw is maintenance-free and keeps the magnetic force for an unlimited period of time.



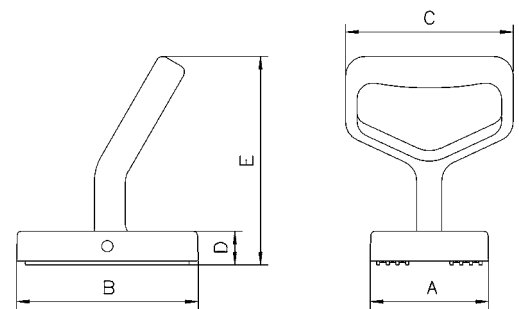
Technical data THM

Model	Art.-No.	Capacity ¹ kg	Pulling capacity ¹ kg	Weight kg
THM 120	N51602501	120	70	2
THM 170	N51602502	170	100	2

¹Measured at a safety factor 2:1 on bright drawn material St37 k

Dimensions THM

Model	THM 120	THM 170
A, mm	116	116
B, mm	140	140
C, mm	130	130
D, mm	25	25
E, mm	172	172



INFO

In order to achieve a maximum capacity, the contact surface should be bright and free from dirt, oil, grease, scale, corrosion, paint etc.

