

TGF Horizontal lifting gear

Capacity 1300 - 10000 kg

The TGF horizontal lifting gear consists of two clamps with a two-legged chain sling and is especially suited for the transport of plate bundles.

The clamps are easily adjusted to the height of the plate by a special ratcheting lever.

The lifting clamps are available in special versions for bundle thicknesses up to 400 mm. The lifting gear is made according to your requirements.



INFO

The angle from the vertical must not exceed 45°!

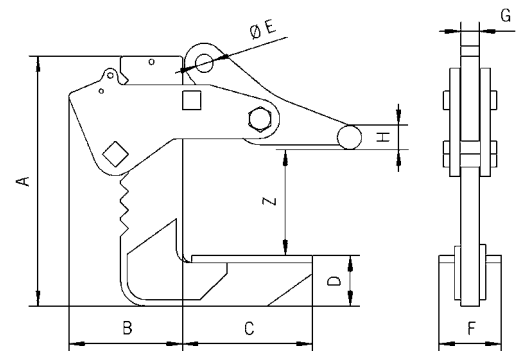
The capacity applies to a pair of lifting clamps.

Technical data TGF

Model	Art.-No. single clamp	Capacity ¹	Jaw capacity Z	Weight ²
		kg	mm	kg
TGF 1,3/150	N50601617	1300	0 - 150	23
TGF 3,3/150	N50601619	3300	0 - 150	39
TGF 6,6/150	N50601621	6650	0 - 150	65
TGF 1,3/250	N50601624	1300	0 - 250	23
TGF 3,3/250	N50601626	3300	0 - 250	39
TGF 6,6/250	N50601628	6650	0 - 250	87
TGF 10,0/300	192065646	10000	0 - 300	92

¹Per pair, up to an angle of 45° from the vertical

²Approx. weight for 2 single clamps with a chain length = 1 m



Dimensions TGF

Model	TGF 1,3/150	TGF 3,3/150	TGF 6,6/150	TGF 1,3/250	TGF 3,3/250	TGF 6,6/250	TGF 10,0/300
A, mm	298	321	405	448	417	495	495
B, mm	122	130	185	122	130	185	210
C, mm	160	160	210	140	160	210	240
D, mm	41	50	82	41	60	82	100
Ø E, mm	20	23	30	20	23	30	40
F, mm	80	80	100	80	80	100	120
G, mm	20	25	30	20	25	30	50
Ø H, mm	25	25	40	25	25	40	40