



TCU



TCO



Container lifting lug TCO

TCU and TCO Container lifting lugs

Capacity 32000 - 56000 kg

The lugs serve as flexible attachment points for the transport of containers. Two types are available which can be fastened to either the "top" or to the "bottom" of the container.

These container lifting lugs are offered in a set of 4 pieces.

TCO

TCO is vertically mounted in the hole at the top of the container. Turning the TCO 90°, locks it securely in place.

Transport is done with the use of a spreader beam in conjunction with wire rope, chain or textile slings making sure the load is suspended vertically.

TCU

TCU is laterlay mounted at the bottom fixing hole on the container and has a spring-loaded bolt to prevent an accidental release.

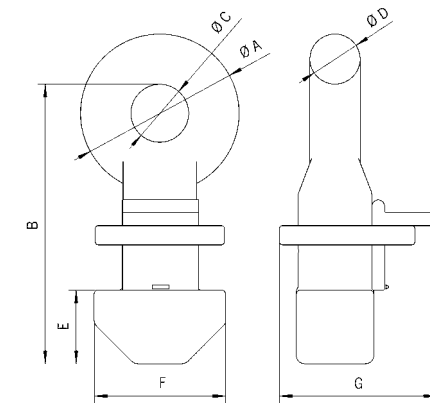
Technical data TCO and TCU

Model	Art.-No.	Capacity ¹ kg	Weight ¹ kg	Sling angle from vertical
TCU 32	N53508014	32000	19.5	50°
TCU 40	N53508014	40000	19.5	36°
TCO 56	N53508016	56000	30.1	vertical

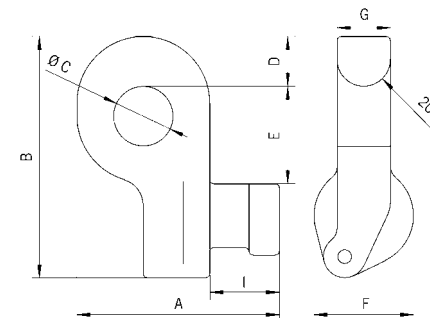
¹set of 4 pieces

Dimensions TCO and TCU

Model	TCU 32	TCU 40	TCO 56
A, mm	152	152	123
B, mm	181	181	217
Ø C, mm	45	45	45
D, mm	37	37	39
E, mm	73	73	57
F, mm	75	75	101
G, mm	40	40	121
I, mm	51	51	-



TCO



TCU