

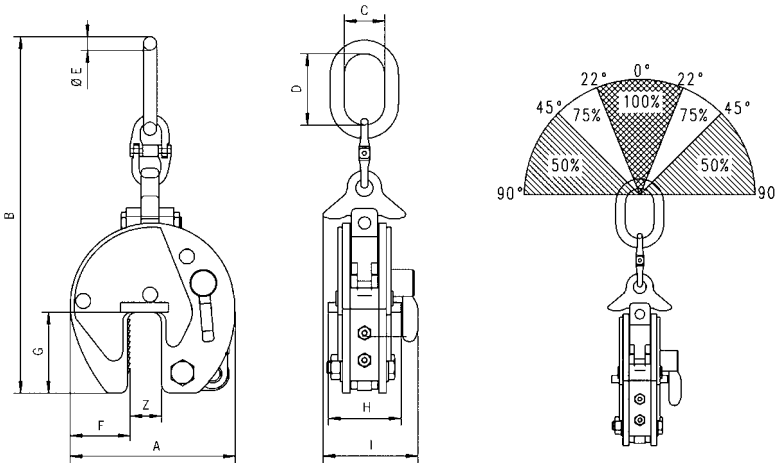
TBS
Plate clamp
with pivoting shackle and
safety lock

Capacity 4000 - 10000 kg

INFO

The surface hardness of the material must not exceed HRC 30/Brinell 300.

The min. load is 10 % of the nominal WLL!



Technical data TBS

Model	Art.-No.	Capacity kg	Jaw capacity Z mm	Weight kg
TBS 4,5	N50200309	4500	0 - 50	34.4
TBS 6,0 S	N50200305	6000	0 - 50	38.0
TBS 6,0 L	N50200306	6000	50 - 100	42.0
TBS 8,0 S	N50200307	8000	0 - 50	39.0
TBS 8,0 L	N50200310	8000	50 - 100	42.4
TBS 10,0 S	N50200308	10000	0 - 50	68.0
TBS 10,0 L	N50200311	10000	50 - 100	80.0

Dimensions TBS

Model	TBS 4,5	TBS 6,0 S	TBS 6,0 L	TBS 8,0 S	TBS 8,0 L	TBS 10,0 S	TBS 10,0 L
A, mm	292	292	367	292	367	360	446
B, mm	675	737	785	737	785	903	921
C, mm	95	95	98	98	98	110	112
D, mm	180	176	180	176	180	195	195
Ø E, mm	27.8	27.8	27.8	27.8	27.8	33	33
F, mm	95	95	115	95	115	125	168
G, mm	143	143	143	143	143	162	162
H, mm	135	137	135	136	136	170	170
I, mm	185	188	188	210	210	223	223