

TBL Plate clamp with safety lock

Capacity 4000 - 30000 kg

This clamp is primarily used for transporting single steel plates in the vertical position, as well as lifting and turning through 180°. This clamp can also be used for transporting steel constructions and profiles. It is recommended to use a pair of plate clamps in conjunction with a spreader beam for large sized sheets and long materials which have a tendency to sag.

These plate clamps have the same design and applications as the clamp model TBL with a capacity from 500 - 3000 kg.

INFO

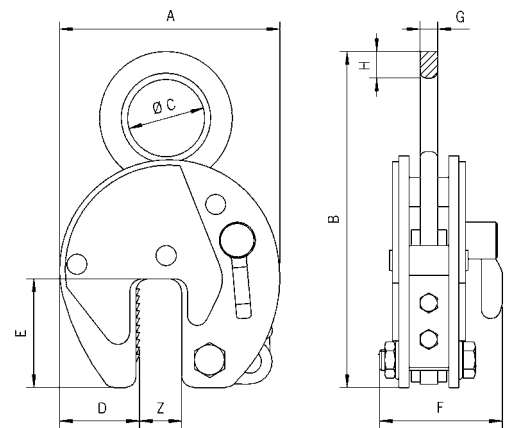
The surface hardness of the material must not exceed HRC 30/Brinell 300.

The min. load is 10 % of the nominal WLL!



Technical data TBL

Model	Art.-No.	Capacity kg	Jaw capacity Z mm	Weight kg
TBL 4,0 S	N50100005	4000	0 - 32	11.2
TBL 4,0 L	N50100006	4000	30 - 60	11.9
TBL 6,0 S	N50100021	6000	0 - 50	20.6
TBL 6,0 L	N50100008	6000	50 - 100	23.2
TBL 8,0 S	N50100022	8000	0 - 50	24.2
TBL 8,0 L	N50100023	8000	50 - 100	28.8
TBL 10,0 S	N50100024	10000	0 - 50	29.5
TBL 10,0 L	N50100025	10000	50 - 100	35.1
TBL 15,0 S	N50100015	15000	0 - 50	76.0
TBL 15,0 L	N50100016	15000	50 - 100	86.0
TBL 20,0 S	N50100017	20000	0 - 65	123.0
TBL 20,0 L	N50100018	20000	65 - 130	135.0
TBL 30,0 S	N50100019	30000	0 - 65	195.0
TBL 30,0 L	N50100020	30000	65 - 130	256.0



Dimensions TBL

Model	TBL 4,0 S	TBL 4,0 L	TBL 6,0 S	TBL 6,0 L	TBL 8,0 S	TBL 8,0 L	TBL 10,0 S	TBL 10,0 L	TBL 15,0 S	TBL 15,0 L	TBL 20,0 S	TBL 20,0 L	TBL 30,0 S	TBL 30,0 L
A, mm	197	228	293	362	293	362	293	362	360	460	462	560	462	560
B, mm	339	339	442	482	450	482	503	503	550	615	674	724	667	732
Ø C, mm	80	80	89	89	89	89	110	110	130	130	130	130	60	60
D, mm	68	68	95	114	95	114	95	114	125	175	165	195	165	195
E, mm	93	100	143	143	143	143	143	143	162	162	210	210	210	210
F, mm	110	110	129	129	129	129	139	139	204	204	235	235	295	295
G, mm	20	20	20	20	20	20	25	25	45	45	45	45	65	65
H, mm	32	32	35	35	42	42	45	45	55	55	65	65	66	67