

TBA Bale grab

Capacity 200 - 1000 kg

The TBA bale grab transports bales of fiber, wool, fabric, paper, pressed straw and various types of shavings up to a width of 1.3 m. Bales are gripped safely yet gently, and where applicable, the clamps are lined with a soft and pliable material.

The locking pawl only engages if the grab is opened without manual intervention.



INFO

The standard grab is equipped with protective linings.

Serrated jaws available on request.

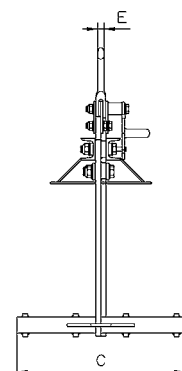
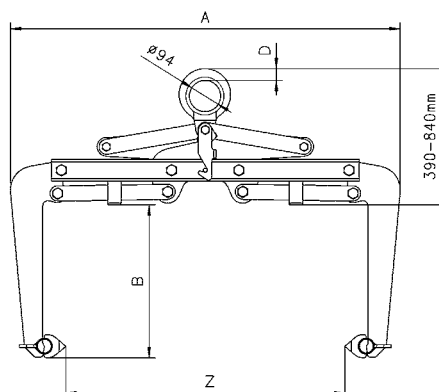


Technical data TBA

Model	Art.-No. with protective lining	Capacity	Jaw capacity Z	Weight
		kg	mm	kg
TBA 0,2/700	N52804501	200	250 - 700	40
TBA 0,3/900	N52804502	300	450 - 900	42
TBA 0,5/1100	N52804503	500	650 - 1100	45
TBA 0,75/1300	N52804504	750	850 - 1300	62
TBA 1,0/1300	N52804505	1.000	850 - 1.300	62

Dimensions TBA

Model	TBA 0,2/700	TBA 0,3/900	TBA 0,5/1100	TBA 0,75/1300	TBA 1,0/1300
A, mm	890	1090	1290	1550	1550
B, mm	420	420	420	420	420
C, mm	500	500	500	500	500
D, mm	35	35	35	35	35
E, mm	20	20	20	20	20



TBA 0,2-1t
with serrated jaw