

INFO

The Yale electric power pack PYB

Hand pumps are the most common power source within the area of "High-Pressure Hydraulic Tools". Using a hand pump can require a higher force. The new cordless power pack PYB is a highly efficient replacement for a standard hydraulic hand pump.

Adding this pump to our sales programme enables us to offer four pump types - giving the user more flexible options to choose from.

Relief valve

The fine-adjustment relief valve in connection with the lever allows millimeter increments when lifting and lowering even the highest loads. The fact that sometimes hundreds of tons are controlled by this hand wheel underlines the importance of this feature.

Robust aluminium/metal construction

The aluminium die-cast housing ensures low weight and protects the battery. Plastic reservoirs filled with oil may present a fire risk in connection with welding or similar hot work!

Shoulder belt

A shoulder belt can be attached to the lifting eyes making it easier to carry the pump.

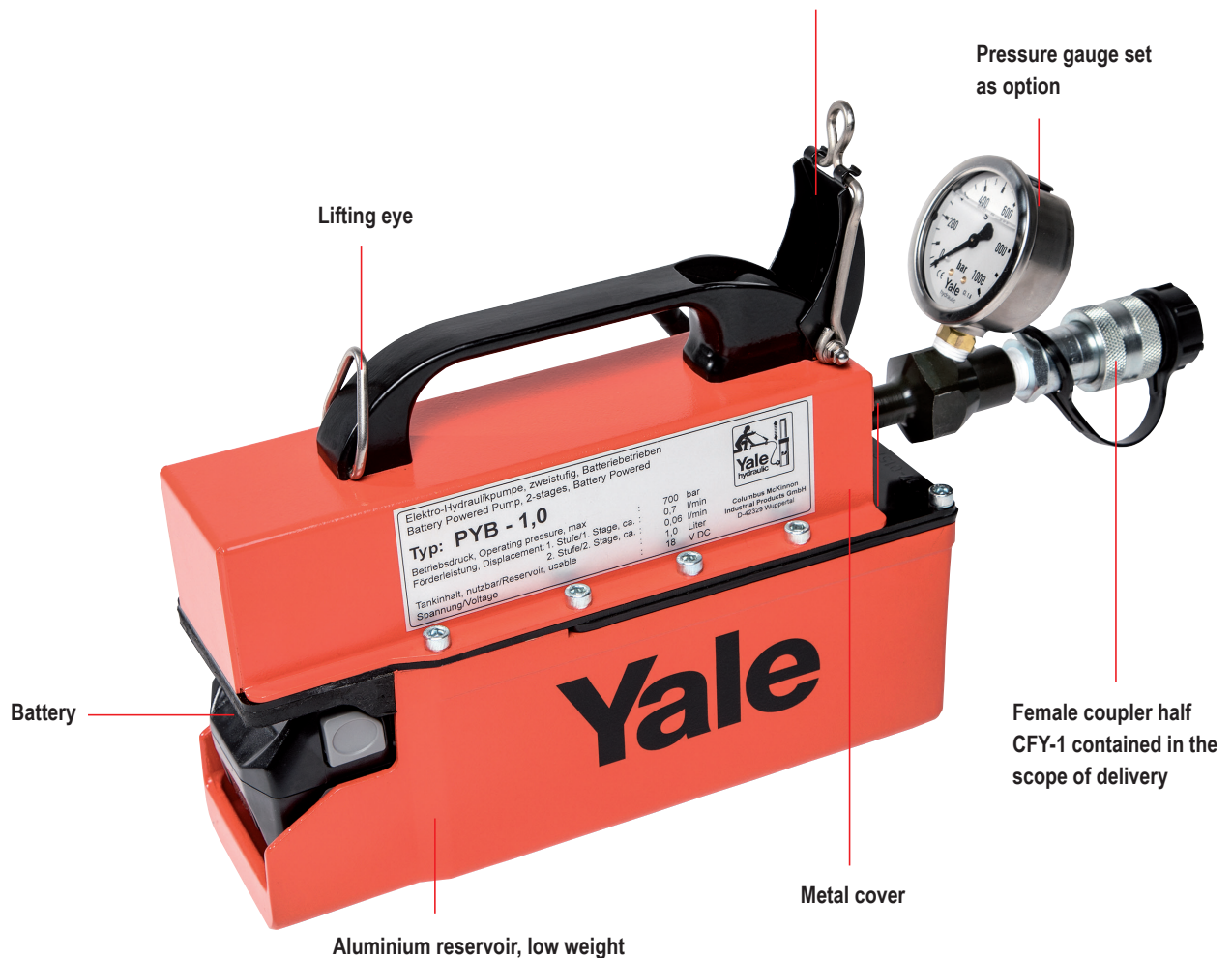
Pressure relief valves

The electric power packs PYB are equipped with two internal pressure relief valves.

The high pressure stage is set to a maximum operating pressure of 700 bar, to avoid over-pressurization of the system.

NEW DEVELOPMENT
CORDLESS TECHNOLOGY!
 FOR MOBILE OPERATION

Protective cover to accidental operation on of pump



Lifting eye

Pressure gauge set as option

Battery

Female coupler half CFY-1 contained in the scope of delivery

Aluminium reservoir, low weight

Metal cover

Rubber tank bladder

The rubber tank bladder of the PYB enables the pump to be used in any position. The total available oil volume can be used.

Two-stage output

Both PYB power packs have a two-stage design. This allows increased speeds and efficient working during unloaded conditions of the hydraulic cylinder. The switch-over from the low pressure to the high pressure stage is done automatically.

Both pumps PYB are “identical”.

Except for the reservoir and the cover both units are identical. Which means that nearly all parts are interchangeable.

So keeping spare parts can be minimized, e.g. only one seal kit has to be stocked to service both pumps.

Excellent suction properties

Hand pumps draw and displace 100% of their volume per stroke. This results both in a high efficiency as well as a rapid cylinder movement.

Interchangeability

All hydraulic cylinders, hand pumps and other components are fully interchangeable and can be combined with all other 700 bar hydraulic lines. The PYB is equipped with a female coupler half CFY-1.

Pressure gauge

Appropriate pressure gauges with the corresponding adaptors are shown in this catalogue.



Cordless power pack: PYB-1.0 c/w optional gauge adaptor set GYA-63.

Battery and charger

The Batterys and chargers are HiKOKI original parts and are commercially available. Which means every customer can decide if and how many Batterys and chargers they want to order with Columbus McKinnon or if they want to purchase the necessary parts locally.

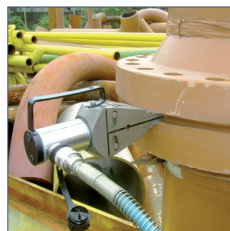


OFFLINE

Possible applications and devices to be combined



Lifting wedges
HK-16T
16t



Spreading wedges
YSW-14T,
14t



Low-profile and flat cylinders
YLS and YFS,
10 - 100t



Spreaders
YHS,
0,5 - 1,5t



Nut splitters
YNS/YNS-AH,
SW 11 - 89mm



PYB-1,0
with optional
pressure gauge
GYA-63

PYB-0,6



Ideal application in combination with compact, portable hydraulic tools like spreaders, lifting wedges, low profile and flat cylinders as well as nut splitters

PYB Elektric power pack, battery driven

Operating pressure max. 700 bar

The Yale PYB cordless power pack provides a flexible edition to the Yale hydraulic programme.

This extremely compact and lightweight power pack gives the user the freedom to operate in areas where there is no power source, increasing productivity over the conventional hand pump and all at the push of a button.

The power pack utilises a standard HiKOKI LI-ION battery and charger to maximize operation.

Ideal for a range of applications using small to mid size single-acting cylinders, hydraulic spreaders, lifting wedges nut splitters and much more.

Features

- Operating pressure max. 700 bar.
- One-Hand-Operation. Push-button integrated into ergonomic handle.
- Two-stage operation with automatic switch-over.
- With internal pressure relief valve.
- Reservoir made from aluminium, extreme low weight.
- Protective cover to prevent inadvertent switch on of pump.
- Rubber tank bladder enables the pump to be used in any position.

Optional/Accessories

Standard HiKOKI Batterys (Typ BSL36A18x2) and chargers are exclusively used.

- Battery PYB-BAT, 18V, weight 0.7 kg
Art.-No. 192043950
- Quick-charger PYB-CHARG,
230 V and 12 V (car plug socket incl.)
Art.-No. 192043961
- Pressure gauge set GYA-63 consisting of:
Gauge GGY 632, Ø63 mm, 0 - 1000 bar and adaptor.
Art.-No. N14200497
- Hydraulic hose HHC (to complete the connection a male coupler half CMY-1 is required)

Scope of delivery

- Electric power pack, battery driven
- Oil filled ready for work
- Female coupler half CFY-1
- Shoulder belt

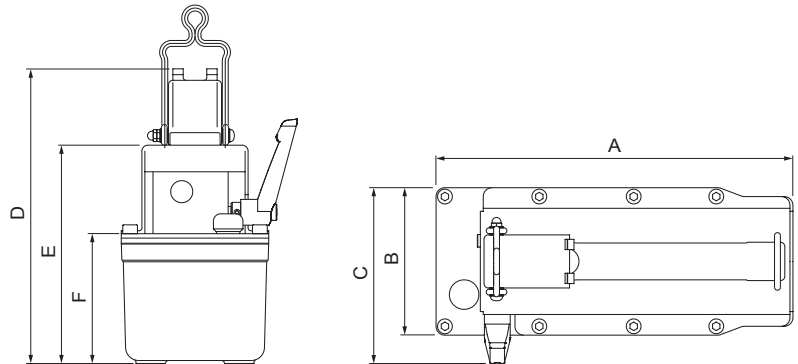
Technical data PYB

Model	Art.-No.	Displacement	Reservoir volume	Displacement 1 st stage	Displacement 2 nd stage	Weight without battery	Operational weight c/w battery
			cm ³	l/min	l/min	kg	kg
PYB-0,6	192043421	two-stage	600	0.7	0.06	4.8	5.5
PYB-1,0	192043988	two-stage	1000	0.7	0.06	5.7	6.4

Dimensions PYB

Model	PYB-0,6	PYB-1,0
A, mm	245	290
B, mm	100	100
C, mm	120	120
D, mm	200	229
E, mm	148	166
F, mm	88	106

Dimensions approx.



INFO

Battery and charger are NOT supplied in the standard scope of delivery. These items must be ordered separately.

Comparison

Cylinder size t	Hand pump No. of pump strokes for 10 mm stroke		Electric power pack PYB Piston travel speed in mm/s	
	HPS-2/0,7A up to HPS-2/10A LP	HPS-1/0,7A up to HPS-2/10A HP	LP	HP
	5	1	4	16.2
10	1	7	8.2	0.7
15	2	11	5.4	0.5
20	2	14	4.1	0.35
21	2	15	3.8	0.33
23	3	17	3.5	0.3
30	3	22	2.7	0.23

LP = Low-pressure stage (unloaded stroke)
HP = High-pressure stage (loaded stroke)



Shoulder belt



Hydraulic hose
HHC



Optional pressure gauge set
GYA-63



Quick-charger
PYB-CHARG



Battery
PYB-BAT



One-Hand-Operation
Push-button integrated into ergonomic handle.