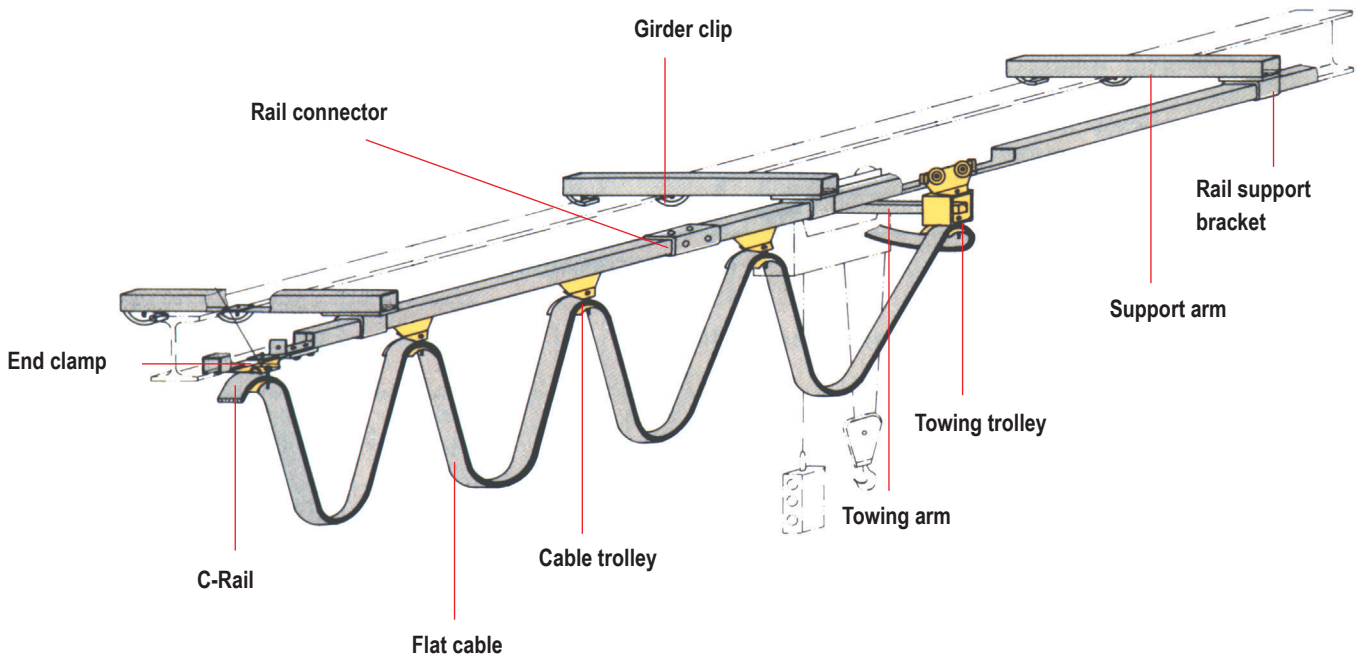


## Festooned cable system

The Yale festooned cable system kit contains all the parts necessary to install a power supply.



### Features

- The PVC flat cable 4 x 2.5 mm<sup>2</sup> is suitable for all electric hoists with a power consumption of up to 25 A.
- The line sag is 700 mm. The cable and towing trolleys are made from plastic and can carry loads of up to 10 daN.
- The rollers are fitted with bronze bushes resp. ball bearings.
- The C-rail, rail support brackets and rail connectors are zinc-plated for added protection against corrosion.

### Optional

- Mounting kit consisting of support arm and girder clips for connection to the beam.
- Towing arm for towing trolley.

### Scope of delivery

- 1 end clamp
- 1 end stop
- 1 towing trolley
- 2 end caps
- 2 FI-fittings with locknuts
- 2 FI-fittings with locknuts 400 V, 50 Hz
- Two information signs according to UVV

## INFO

Quantity of units dependant on track length.



Main switch

## Scope of delivery festooned cable systems

Model	Art.-No.	Art.-No. Mounting kit	C-rails track length m	Transport distance max. m	PVC flat cable m	Cable trolleys	Rail support bracket	Rail connector	Rail connector
Festooned cable 4.0 m C-rail track length	N07700001	N07700010	4	3.5	9	2	4	0	
Festooned cable 6.0 m C-rail track length	N07700002	N07700011	6	5.4	11	3	5	1	
Festooned cable 8.0 m C-rail track length	N07700003	N07700012	8	7.3	13	5	6	1	
Festooned cable 10.0 m C-rail track length	N07700004	N07700013	10	9.2	15	6	7	2	
Festooned cable 12.0 m C-rail track length	N07700005	N07700014	12	11.0	17	8	8	2	
Festooned cable 14.0 m C-rail track length	N07700006	N07700015	14	12.9	19	9	9	3	
Festooned cable 16.0 m C-rail track length	N07700007	N07700016	16	14.8	21	11	10	3	
Festooned cable 18.0 m C-rail track length	N07700008	N07700017	18	16.7	23	12	11	4	
Festooned cable 20.0 m C-rail track length	N07700009	N07700018	20	18.5	25	14	12	4	



Cable trolley



Towing trolley



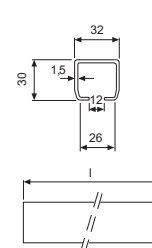
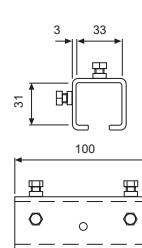
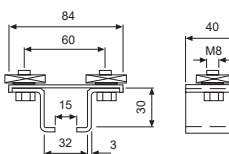
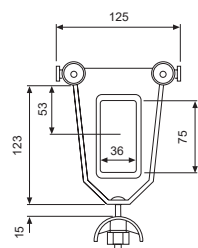
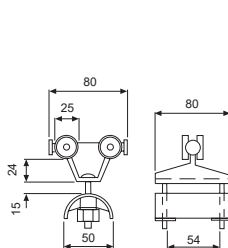
Rail support bracket



Rail connector



C-Rail



## INFO

Optional: Mounting kit consisting of support arm and girder clips for connection to the beam.

Special applications e.g. for curves or cable trolley for round cables on request.

