



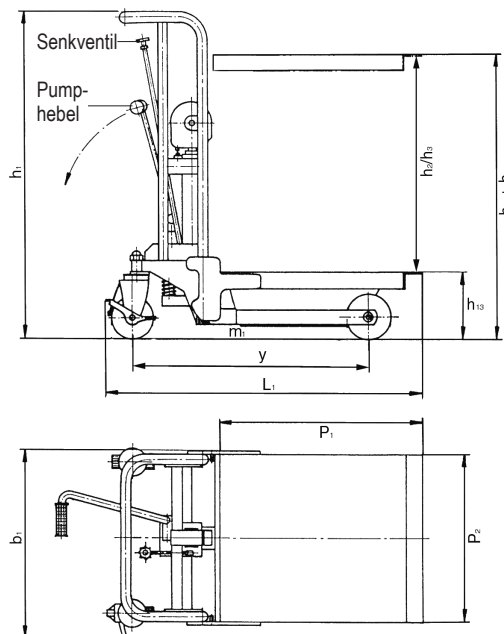
## PRAKTIKUS HP Platförmhief, mobile

**Capacity 400 kg,  
Platform height max. 1200 mm**

For the occasional, internal application of lifting and transporting of goods.

### Features

- Easy lifting by tiltable foot pedal.
- Lowering speed can be finely metered for sensitive lowering of the load.
- Ergonomic handlebar for easy operation.
- Steering roller with brake for safe parking of the hand stacker.
- Robust construction with chrome plated chassis, hard chromium plated piston and pressure relief valve.
- Covered chain deflection for increased safety.



### Technical data PRAKTIKUS HP

Model	HP 0412
Art.-No.	40008779
Capacity, kg	400
Platform height max. $h_3 + h_{13}$ , mm	1200
Platform height min. $h_{13}$ , mm	200
Freelift $h_2$ , mm	1000
Stroke $h_3$ , mm	1000
Lifting height per pump stroke, mm	23
Overall height $h_1$ , mm	1310
Overall length $L_1$ , mm	1037
Overall width $b_1$ , mm	590
Platform length $P_1$ , mm	650
Platform width $P_2$ , mm	550
Tyre type <sup>1</sup>	VG/VG
Steering rollers, mm	150 x 45
Load rollers, mm	150 x 45
Number of wheels/load rollers	2/2
Ground clearance $m_1$ , mm	50
Wheelbase $y$ , mm	785
Weight, kg	71

<sup>1</sup>VG ... Solid rubber