

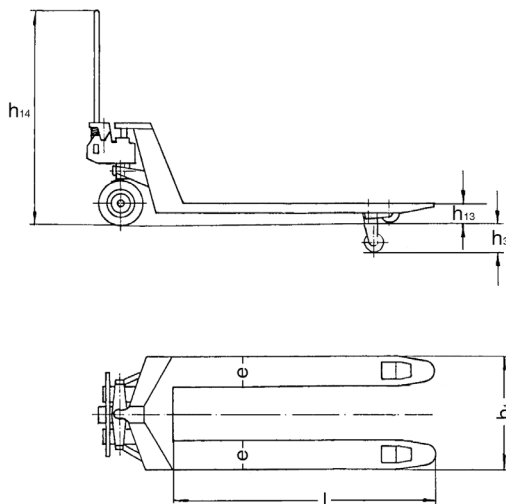
## HU 15-115 FTP PROLINE Hand pallet truck with low height forks

### Capacity 1500 kg

For the professional transportation of particularly low pallets.

### Features

- Ergonomic safety control handle for one-hand operation of lifting, driving and lowering.
- Ergonomic rubber control handle for safe handling.
- Low maintenance high performance hydraulic pump with hard chromium plated piston and pressure relief valve.
- Frame and forks in robust steel construction, adjustable connecting rods, especially hardened axles and the high quality powder coating ensure a long life expectancy.
- Pallet entry height of only 51 mm for easy entry in particularly low pallets.
- Steering angle of 105 degree to each side for easy handling in confined spaces.



### Technical data HU 15-115 FTP

Model	HU 15-115 FTP
Art.-No.	34527124
Capacity, kg	1500
Weight, kg	84
Tyre type <sup>1</sup>	PUR/PA
Steering rollers, mm	180 x 50
Load rollers, mm	50 x 70
Stroke h3, mm	115
Height of control handle h14, mm	1200
Fork height lowered h13, mm	51
Fork width e, mm	160
Fork length l, mm	1150
Outside dimension of forks b1, mm	540

<sup>1</sup>PUR... Polyurethane, PA... Polyamide