

### EGV PSH II Electric pedestrian stacker

**Capacity 1200 - 1600 kg,  
Fork height max. 5000 mm**

The revised edition of the model range EGV PSH II is the professional solution for indoor transportation and stacking of palletised loads over longer distances and higher capacity utilization.

#### Features

- Multifunctional control handle with integrated drive switches and lifting and lowering functions directly on the control handle.
- Proportionally controllable lifting and lowering functions for better positioning of the loads.
- Compact overall dimensions, only 800 mm wide allows operations in narrow corridors.
- Ultra-slow drive function enables exact driving in very tight spaces.
- Drive and lifting speeds have been increased for this revised model.

#### Optional

- Drivers platform
- Freelift



#### INFO

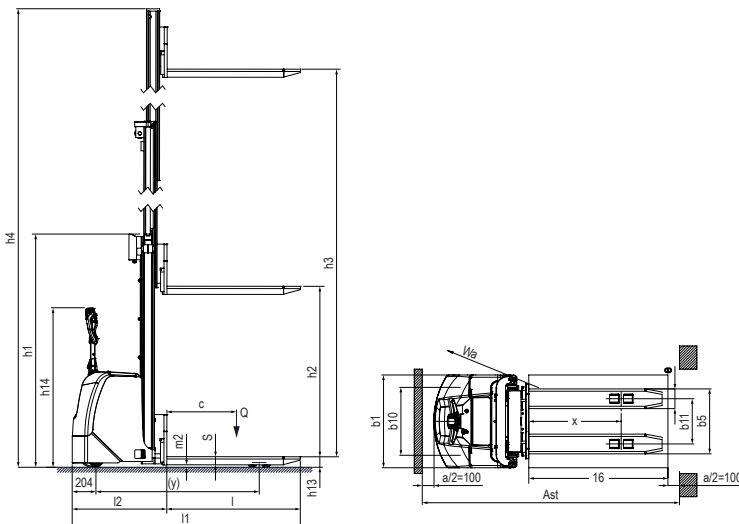
---

Battery and battery charger are to be ordered separately.

Technical data EGV PSH 12 II

| Model                                    | EGV PSH 12-16 II     | EGV PSH 12-25 II     | EGV PSH 12-29 II     | EGV PSH 12-35 II     |
|--|----------------------|----------------------|----------------------|----------------------|
| Art.-No.                                 | N25412161            | N25412251            | N25412291            | N25412351            |
| Actuation                                | electric             | electric             | electric             | electric             |
| Operation                                | pedestrian           | pedestrian           | pedestrian           | pedestrian           |
| Capacity (up to 2.5 m lift), kg          | 1200                 | 1200                 | 1200                 | 1200                 |
| Load center c, mm                        | 600                  | 600                  | 600                  | 600                  |
| Wheelbase y, mm                          | 1307                 | 1307                 | 1307                 | 1307                 |
| Weight (with battery 180 Ah), kg         | 841                  | 900                  | 915                  | 937                  |
| Tyre type <sup>1</sup>                   | PUR/VG + PUR         | PUR/VG + PUR         | PUR/VG + PUR         | PUR/VG + PUR         |
| Steering rollers, mm                     | 250 x 101 + 100 x 38 | 250 x 101 + 100 x 38 | 250 x 101 + 100 x 38 | 250 x 101 + 100 x 38 |
| Load rollers, mm                         | 82 x 70              | 82 x 70              | 82 x 70              | 82 x 70              |
| Number of wheels/load rollers (x=driven) | 1x + 2/4             | 1x + 2/4             | 1x + 2/4             | 1x + 2/4             |
| Height, mast retracted h1, mm            | 1965                 | 1785                 | 1987                 | 2265                 |
| Freelift h2, mm                          | 1510                 | –                    | –                    | 80                   |
| Stroke, mm                               | 1510                 | 2410                 | 2810                 | 3410                 |
| Height, mast extended h4, mm             | 1965                 | 2990                 | 3392                 | 3970                 |
| Fork height max. h3, mm                  | 1600                 | 2500                 | 2900                 | 3500                 |
| Height of control handle max. h14, mm    | 1390                 | 1390                 | 1390                 | 1390                 |
| Fork height lowered h13, mm              | 90                   | 90                   | 90                   | 90                   |
| Overall length L1, mm                    | 1920                 | 1920                 | 1920                 | 1920                 |
| Length incl. apron L2, mm                | 770                  | 770                  | 770                  | 770                  |
| Overall width b1/b2, mm                  | 800                  | 800                  | 800                  | 800                  |
| Fork height s, mm                        | 70                   | 70                   | 70                   | 70                   |
| Fork width e, mm                         | 150                  | 150                  | 150                  | 150                  |
| Fork length l, mm                        | 1150                 | 1150                 | 1150                 | 1150                 |
| Outside dimension of forks b5, mm        | 560                  | 560                  | 560                  | 560                  |
| Ground clearance, mm                     | 20                   | 20                   | 20                   | 20                   |
| Aisle width pallet Ast, mm               | 2169                 | 2169                 | 2169                 | 2169                 |
| Turning circle radius Wa, mm             | 1550                 | 1550                 | 1550                 | 1550                 |
| Travel speed with/without load, km/h     | 6/6                  | 6/6                  | 6/6                  | 6/6                  |
| Lifting speed with/without load, m/s     | 0.12/0.17            | 0.12/0.17            | 0.12/0.17            | 0.12/0.17            |
| Lowering speed with/without load, m/s    | 0.22/0.12            | 0.22/0.12            | 0.22/0.12            | 0.22/0.12            |
| Gradient with/without load, %            | 5/10                 | 5/10                 | 5/10                 | 5/10                 |
| Service brake                            | electric             | electric             | electric             | electric             |
| Drive motor rating, kW                   | 1.2                  | 1.2                  | 1.2                  | 1.2                  |
| Hoist motor rating, kW                   | 3.2                  | 3.2                  | 3.2                  | 3.2                  |
| Battery <sup>2</sup>                     | PzS                  | PzS                  | PzS                  | PzS                  |
| Battery voltage, V/Ah                    | 24/225-300           | 24/225-300           | 24/225-300           | 24/225-300           |
| Battery weight, kg                       | 270                  | 270                  | 270                  | 270                  |
| Type of control                          | impulse              | impulse              | impulse              | impulse              |

<sup>1</sup>PUR... Polyurethane, VG... Solid rubber  
<sup>2</sup>PzS... Traction battery



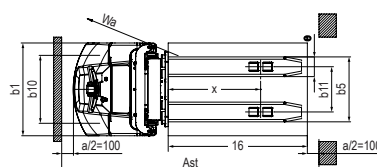
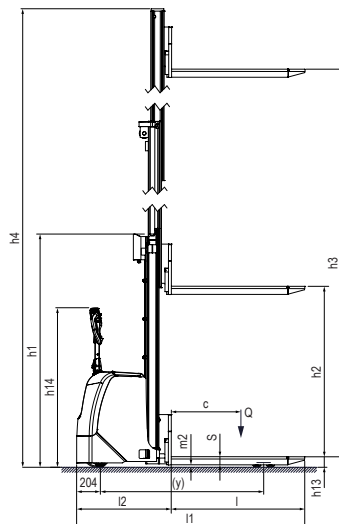
## Technical data EGV PSH 14 II

| Model                                    | EGV PSH 14-45T II    | EGV PSH 14-45TF II   | EGV PSH 14-50T II    |
|--|----------------------|----------------------|----------------------|
| Art.-No.                                 | N25414453            | N25414455            | N25414503            |
| Actuation                                | electric             | electric             | electric             |
| Operation                                | pedestrian           | pedestrian           | pedestrian           |
| Capacity (up to 2.5 m lift), kg          | 1400                 | 1400                 | 1400                 |
| Load center c, mm                        | 600                  | 600                  | 600                  |
| Wheelbase y, mm                          | 1370                 | 1370                 | 1370                 |
| Weight (with battery 180 Ah), kg         | 1190                 | 1223                 | 1229                 |
| Tyre type <sup>1</sup>                   | PUR/VG + PUR         | PUR/VG + PUR         | PUR/VG + PUR         |
| Steering rollers, mm                     | 250 x 101 + 100 x 38 | 250 x 101 + 100 x 38 | 250 x 101 + 100 x 38 |
| Load rollers, mm                         | 82 x 70              | 82 x 70              | 82 x 70              |
| Number of wheels/load rollers (x=driven) | 1x + 2/4             | 1x + 2/4             | 1x + 2/4             |
| Height, mast retracted h1, mm            | 2080                 | 2089                 | 2285                 |
| Freelift h2, mm                          | –                    | 1470                 | –                    |
| Stroke, mm                               | 4410                 | 4410                 | 5025                 |
| Height, mast extended h4, mm             | 5020                 | 5029                 | 5635                 |
| Fork height max. h3, mm                  | 4500                 | 4500                 | 5115                 |
| Height of control handle max. h14, mm    | 1390                 | 1390                 | 1390                 |
| Fork height lowered h13, mm              | 90                   | 90                   | 90                   |
| Overall length L1, mm                    | 1966                 | 1966                 | 1966                 |
| Length incl. apron L2                    | 816                  | 816                  | 816                  |
| Overall width b1/b2, mm                  | 800                  | 800                  | 800                  |
| Fork height s, mm                        | 70                   | 70                   | 70                   |
| Fork width e, mm                         | 170                  | 170                  | 170                  |
| Fork length l, mm                        | 1150                 | 1150                 | 1150                 |
| Outside dimension of forks b5, mm        | 560                  | 560                  | 560                  |
| Ground clearance, mm                     | 20                   | 20                   | 20                   |
| Aisle width pallet Ast, mm               | 2389                 | 2389                 | 2389                 |
| Turning circle radius Wa, mm             | 1613                 | 1613                 | 1613                 |
| Travel speed with/without load, km/h     | 6/6                  | 6/6                  | 6/6                  |
| Lifting speed with/without load, m/s     | 0.14/0.28            | 0.14/0.28            | 0.14/0.28            |
| Lowering speed with/without load, m/s    | 0.34/0.40            | 0.34/0.40            | 0.34/0.40            |
| Gradient with/without load, %            | 5/10                 | 5/10                 | 5/10                 |
| Service brake                            | electric             | electric             | electric             |
| Drive motor rating, kW                   | 1.2                  | 1.2                  | 1.2                  |
| Hoist motor rating, kW                   | 3.2                  | 3.2                  | 3.2                  |
| Battery <sup>2</sup>                     | PzS                  | PzS                  | PzS                  |
| Battery voltage, V/Ah                    | 24/300 <sup>3</sup>  | 24/300 <sup>3</sup>  | 24/300 <sup>3</sup>  |
| Battery weight, kg                       | 270                  | 270                  | 270                  |
| Type of control                          | impulse              | impulse              | impulse              |

<sup>1</sup>PUR... Polyurethane, VG... Solid rubber

<sup>2</sup>PzS... Traction battery

<sup>3</sup>Unit only supplied with 300Ah battery



Technical data EGV PSH 16 II

| Model                                    | EGV PSH 16-16 II     | EGV PSH 16-25 II     | EGV PSH 16-29 II     | EGV PSH 16-35 II     |
|--|----------------------|----------------------|----------------------|----------------------|
| Art.-No.                                 | N25416161            | N25416251            | N25416291            | N25416351            |
| Actuation                                | electric             | electric             | electric             | electric             |
| Operation                                | pedestrian           | pedestrian           | pedestrian           | pedestrian           |
| Capacity (up to 2.5 m lift), kg          | 1600                 | 1600                 | 1600                 | 1600                 |
| Load center c, mm                        | 600                  | 600                  | 600                  | 600                  |
| Wheelbase y, mm                          | 1370                 | 1370                 | 1370                 | 1370                 |
| Weight (with battery 180 Ah), kg         | 920                  | 1025                 | 1050                 | 1090                 |
| Tyre type <sup>1</sup>                   | PUR/VG + PUR         | PUR/VG + PUR         | PUR/VG + PUR         | PUR/VG + PUR         |
| Steering rollers, mm                     | 250 x 101 + 100 x 38 | 250 x 101 + 100 x 38 | 250 x 101 + 100 x 38 | 250 x 101 + 100 x 38 |
| Load rollers, mm                         | 82 x 70              | 82 x 70              | 82 x 70              | 82 x 70              |
| Number of wheels/load rollers (x=driven) | 1x + 2/4             | 1x + 2/4             | 1x + 2/4             | 1x + 2/4             |
| Height, mast retracted h1, mm            | 1965                 | 1765                 | 1965                 | 2265                 |
| Freelift h2, mm                          | 1510                 | -                    | -                    | -                    |
| Stroke, mm                               | 1510                 | 2410                 | 2810                 | 3410                 |
| Height, mast extended h4, mm             | 1965                 | 2970                 | 3370                 | 3970                 |
| Fork height max. h3, mm                  | 1600                 | 2500                 | 2900                 | 3500                 |
| Height of control handle max. h14, mm    | 1390                 | 1390                 | 1390                 | 1390                 |
| Fork height lowered h13, mm              | 90                   | 90                   | 90                   | 90                   |
| Overall length L1, mm                    | 1944                 | 1944                 | 1944                 | 1944                 |
| Length incl. apron L2, mm                | 795                  | 795                  | 795                  | 795                  |
| Overall width b1/b2, mm                  | 800                  | 800                  | 800                  | 800                  |
| Fork height s, mm                        | 70                   | 70                   | 70                   | 70                   |
| Fork width e, mm                         | 170                  | 170                  | 170                  | 170                  |
| Fork length l, mm                        | 1150                 | 1150                 | 1150                 | 1150                 |
| Outside dimension of forks b5, mm        | 560                  | 560                  | 560                  | 560                  |
| Ground clearance, mm                     | 20                   | 20                   | 20                   | 20                   |
| Aisle width pallet Ast, mm               | 2195                 | 2195                 | 2195                 | 2195                 |
| Turning circle radius Wa, mm             | 1613                 | 1613                 | 1613                 | 1613                 |
| Travel speed with/without load, km/h     | 6/6                  | 6/6                  | 6/6                  | 6/6                  |
| Lifting speed with/without load, m/s     | 0.13/0.25            | 0.13/0.25            | 0.13/0.25            | 0.13/0.25            |
| Lowering speed with/without load, m/s    | 0.31/0.38            | 0.31/0.38            | 0.31/0.38            | 0.31/0.38            |
| Gradient with/without load, %            | 5/10                 | 5/10                 | 5/10                 | 5/10                 |
| Service brake                            | electric             | electric             | electric             | electric             |
| Drive motor rating, kW                   | 1.2                  | 1.2                  | 1.2                  | 1.2                  |
| Hoist motor rating, kW                   | 3.2                  | 3.2                  | 3.2                  | 3.2                  |
| Battery <sup>2</sup>                     | PzS                  | PzS                  | PzS                  | PzS                  |
| Battery voltage, V/Ah                    | 24/225-300           | 24/225-300           | 24/225-300           | 24/225-300           |
| Battery weight, kg                       | 270                  | 270                  | 270                  | 270                  |
| Type of control                          | impulse              | impulse              | impulse              | impulse              |

<sup>1</sup>PUR... Polyurethane, VG... Solid rubber  
<sup>2</sup>PzS... Traction battery

