



TCS Coil hook

Capacity 500 - 3000 kg

The TCS coil hook is an universal C-Hook. Due to its tipping feature, it can lift or lower the coil, whether the coil is lying flat or is in an upright position. With this tipping device, the coil is tipped safely through 90°.

The slow and safe movement of the tipping device ensures a continuous flowing movement when lifting or lowering the coil. At the same time, the tipping device serves the purpose of preventing accidental slipping of the load during transport.

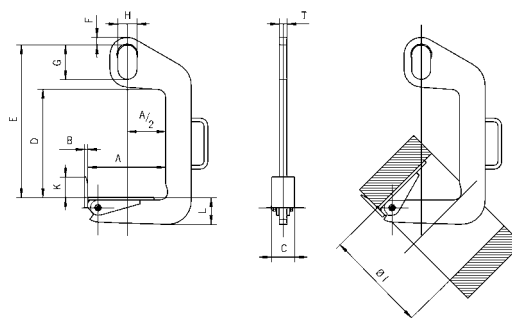
INFO

Other sizes and models available on request.



Technical data TCS

Model	Art.-No.	Capacity kg	Weight kg
TCS 0,5/120	N53507850	500	6.9
TCS 0,5/200	N53507851	500	9.6
TCS 1,0/200	N53507852	1000	15.4
TCS 1,0/300	N53507853	1000	20.0
TCS 2,0/200	N53507854	2000	24.8
TCS 2,0/300	N53507855	2000	33.4
TCS 3,0/200	N53507856	3000	45.0
TCS 3,0/300	N53507857	3000	51.0



Dimensions TCS

Model	TCS 0,5/120	TCS 0,5/200	TCS 1,0/200	TCS 1,0/300	TCS 2,0/200	TCS 2,0/300	TCS 3,0/200	TCS 3,0/300
Coil width A min, mm	50	100	100	200	100	200	100	200
Coil width A max., mm	120	200	200	300	200	300	200	300
B, mm	10	10	10	10	12	12	15	15
C, mm	60	60	80	80	90	90	100	100
D, mm	330	330	460	460	420	420	610	610
E, mm	470	470	600	600	600	600	820	820
F, mm	20	20	20	20	30	30	40	40
G, mm	110	110	110	110	135	135	160	160
H, mm	60	60	60	60	75	75	90	90
K, mm	50	50	60	60	80	80	100	100
L, mm	45	50	65	70	85	95	100	110
T, mm	20	20	25	25	30	30	35	35
Ø I, mm	220	300	300	400	300	400	300	400