



TCR Rail grab with safety lock

Capacity 1000 - 2000 kg

The TCR rail grab transports rails, as used by railways, easily and safely. A safe grip is ensured by the lever operated safety lock. For long rails, two grabs must be attached to a spreader beam to avoid sagging.

Since the rails are primarily grabbed with positive fit, it is important that the clamp stays in a vertical position during initial lift.

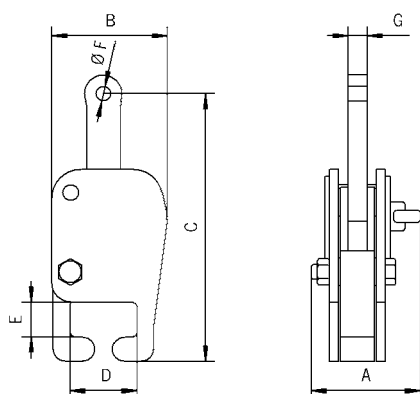
Technical data TCR

Model	Art.-No.	Capacity kg	Weight kg
TCR 1,0	N51402351	1000	12.4
TCR 2,0	N51402352	2000	13.9

Dimensions TCR

Model	TCR 1,0	TCR 2,0
A ¹ , mm	144	144
B, mm	152	163
C, mm	350	350
D, mm	90	90
E, mm	46	46
Ø F, mm	20	20
G, mm	25	25

¹Scissor dimensions



INFO

For special sizes please advise rail type and profile!

A TCR multiple rail system is also available for the simultaneous transport of up to 12 rails.

For rail jacks please see page 138.