

AYH Clevis eye mountings

Clevis eye mountings are screwed onto the piston and bottom of the hydraulic cylinder whenever mounting conditions require a pivoting of the cylinder.



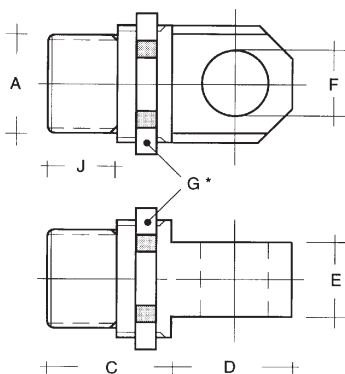
Technical data AYH

Model	Art.-No.	Suitable for cylinder	Suitable for	Weight kg
AYH-5-1	N14500808	YH-5/30, YH-5/80, YH-5/150	Cylinder base	0.3
AYH-5-2	N14500809	YH-5/30, YH-5/80, YH-5/150	Piston	0.3
AYH-10-1	N14500810	YH-10/30, YH-10/80, YH-10/150, YH-10/250	Cylinder base	0.6
AYH-10-2	N14500811	YH-10/30, YH-10/80, YH-10/150, YH-10/250	Piston	0.6
AYH-20-1	N14500812	YH-20/150, YH-20/250	Cylinder base	2.1
AYH-20-2	N14500813	YH-20/150, YH-20/250	Piston	2.1

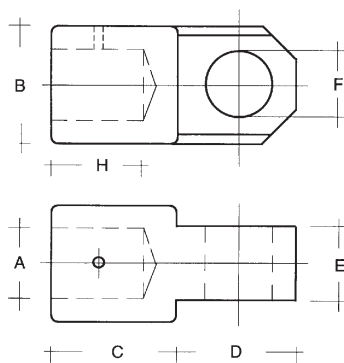
Dimensions AYH

Model	AYH-5-1	AYH-5-2	AYH-10-1	AYH-10-2	AYH-20-1	AYH-20-2
A, mm	M27 x 2	M18 x 1.5	M36 x 2	M27 x 2	M45 x 2	M36 x 2
B, mm	–	35	–	40	–	70
C, mm	35	35	38	38	50	50
D, mm	35	35	42	42	65	65
E, mm	15	15	25	25	35	35
F, mm	16	16	20	20	30	30
G ¹ , mm	M35 x 1.5	–	M40 x 1.5	–	M70 x 2	–
H, mm	–	–	–	21	–	24
J, mm	18	–	21	–	23	–

¹G = retainer nut according to DIN 981



AYH-...-1 for cylinder base



AYH-...-2 for piston