

with extremely low headroom

Image shows HIGH design

Yalelift 360

YL LH ATEX – Hand chain hoist with integrated push or with integrated geared trolley (low headroom)

Capacity 500 - 10000 kg

The hand chain hoist model Yalelift LH with integrated low headroom manual trolley is the consequent further development of the Yalelift IT. Wherever an even smaller headroom is essential, the Yalelift LH is the ideal choice.

Features

- The specially developed chain reeving system and chain guide allow the bottom block to be pulled laterally to the hoist even further up and almost against the beam flange.
- The integrated design of the innovative Yalelift LH uses the same manual trolleys as incorporated in the Yalelift IT series.
- All units of this series up to a capacity of 3000 kg are built with a single chain fall.
- The approved and almost stepless adjustment system of the trolley enables the simple and quick assembly due to adjusting nuts.
- Trolleys up to 5t capacity are offered for two beam ranges; range A for a flange width of up to 180 mm is standard and covers approx. 80% of all applications. Conversion to range B for beam width up to 300 mm can be easily accomplished.
- The solid bronze wheels (only for MEDIUM and HIGH design) are designed for a max. beam profile incline of 14% (DIN 1025-1), excellent rolling features are guaranteed by prelubricated, encapsulated ball bearings.
- The low headroom version of the Yalelift IT is adjustable to fit a wide range of beam profiles (e.g. INP, IPE, IPB).
- Anti-drop and anti-tilt devices as standard.
- Explosion protected version with MKS spark resistant coating.
- Trolleys equipped with rubber buffers.
- Copper-coated load hooks for MEDIUM design or higher.
- Stainless steel load chain for HIGH design.

Options

- Adjustable overload protection device.
- Chain container
- Beam locking device to secure the unloaded hoist with integrated trolley in a fixed position on the beam (park position e.g. on ships).
- Additional coating (see page 52-53)

Technical data

Yalelift LHP ATEX BASIC with integrated push trolley II 3G Ex h IIA T4 Gc / II 3D Ex h IIIA T135 °C Dc

Model	Art.-No.	Capacity in kg/ Number of chain falls	Size ¹	Beam flange width b mm	Beam flange thickness t max. mm	Curve radius min. m	Weight ² kg	Weight ² with locking device kg
YLLHP ATEX 500	N05600134	500/1	A	60 - 180	19	0,9	27	33
YLLHP ATEX 1000	N05600135	1000/1	A	70 - 180	19	0,9	35	43
YLLHP ATEX 2000	N05600136	2000/1	A	82 - 180	19	1,15	61	69

Technical data

Yalelift LHP ATEX MEDIUM with integrated push trolley II 2G Ex h IIB T4 Gb / II 2D Ex h IIIB T135 °C Db

Model	Art.-No.	Capacity in kg/ Number of chain falls	Size ¹	Beam flange width b mm	Beam flange thickness t max. mm	Curve radius min. m	Weight ² kg	Weight ² with locking device kg
YLLHP ATEX 500	N05600123	500/1	A	60 - 180	19	0,9	27	33
YLLHP ATEX 1000	N05600124	1000/1	A	70 - 180	19	0,9	35	43
YLLHP ATEX 2000	N05600125	2000/1	A	82 - 180	19	1,15	61	69

Technical data

Yalelift LHP ATEX HIGH with integrated push trolley II 2G Ex h IIC T4 Gb / II 2D Ex h IIIC T135 °C Db

Model	Art.-No.	Capacity ³ in kg/ Number of chain falls	Size ¹	Beam flange width b mm	Beam flange thickness t max. mm	Curve radius min. m	Weight ² kg	Weight ² with locking device kg
YLLHP ATEX 500	N05600143	500/1	A	60 - 180	19	0,9	27	33
YLLHP ATEX 1000	N05600144	900/1	A	70 - 180	19	0,9	35	43
YLLHP ATEX 2000	N05600145	1500/1	A	82 - 180	19	1,15	61	69

¹ Size B on request² Weight for standard lift 3 m. Other lifting heights available.³ Models in HIGH design are already labelled with reduced capacities when delivered.

INFO

Yale hoists and trolleys are not designed for passenger elevation applications and must not be used for this purpose.



**EXPERIENCE THE
ADVANTAGE OF 360°**

Technical data

Yalelift LHG ATEX BASIC with integrated geared trolley II 3G Ex h IIA T4 Gc / II 3D Ex h IIIA T135 °C Dc

Model	Art.-No.	Capacity in kg/ Number of chain falls	Size ¹	Beam flange width b mm	Beam flange thickness t max. mm	Curve radius min. m	Weight ² kg	Weight ² with locking device kg
YLLHG ATEX 500	N05600137	500/1	A	60 - 180	19	0.9	31	38
YLLHG ATEX 1000	N05600138	1000/1	A	70 - 180	19	0.9	40	48
YLLHG ATEX 2000	N05600139	2000/1	A	82 - 180	19	1.15	65	73
YLLHG ATEX 3000	N05600140	3000/1	A	100 - 180	27	1.5	112	121
YLLHG ATEX 5000	N05600141	5000/2	A	110 - 180	27	2.0	157	167
YLLHG ATEX 10000	N05600142	10000/3	B	190 - 310	40	1.8	232	on request

Technical data

Yalelift LHG ATEX MEDIUM with integrated geared trolley II 2G Ex h IIB T4 Gb / II 2D Ex h IIIB T135 °Db

Model	Art.-No.	Capacity in kg/ Number of chain falls	Size ¹	Beam flange width b mm	Beam flange thickness t max. mm	Curve radius min. m	Weight ² kg	Weight ² with locking device kg
YLLHG ATEX 500	N05600128	500/1	A	60 - 180	19	0.9	31	38
YLLHG ATEX 1000	N05600129	1000/1	A	70 - 180	19	0.9	40	48
YLLHG ATEX 2000	N05600130	2000/1	A	82 - 180	19	1.15	65	73
YLLHG ATEX 3000	N05600131	3000/1	A	100 - 180	27	1.5	112	121
YLLHG ATEX 5000	N05600132	5000/2	A	110 - 180	27	2.0	157	167
YLLHG ATEX 10000	N05600133	10000/3	B	190 - 310	40	1.8	232	on request

Technical data

Yalelift LHG ATEX HIGH with integrated geared trolley II 2G Ex h IIC T4 Gb / II 2D Ex h IIIC T135 °C Db

Model	Art.-No.	Capacity ³ in kg/ Number of chain falls	Size ¹	Beam flange width b mm	Beam flange thickness t max. mm	Curve radius min. m	Weight ² kg	Weight ² with locking device kg
YLLHG ATEX 500	N05600146	500/1	A	60 - 180	19	0.9	31	38
YLLHG ATEX 1000	N05600147	900/1	A	70 - 180	19	0.9	40	48
YLLHG ATEX 2000	N05600148	1500/1	A	82 - 180	19	1.15	65	73
YLLHG ATEX 3000	N05600149	2500/1	A	100 - 180	27	1.5	112	121
YLLHG ATEX 5000	N05600150	5000/2	A	110 - 180	27	2.0	157	167
YLLHG ATEX 10000	N05600151	7500/3	B	190 - 310	40	1.8	232	on request

¹ Size B on request

² Weight for standard lift 3m. Other lifting heights available.

³ Models in HIGH design are already labelled with reduced capacities when delivered.

INFO

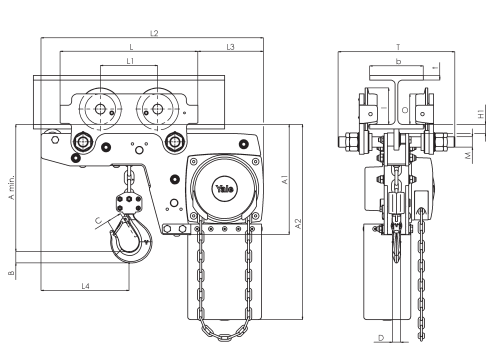
Yale hoists and trolleys are not designed for passenger elevation applications and must not be used for this purpose.

Copper coated for MEDIUM and HIGH!

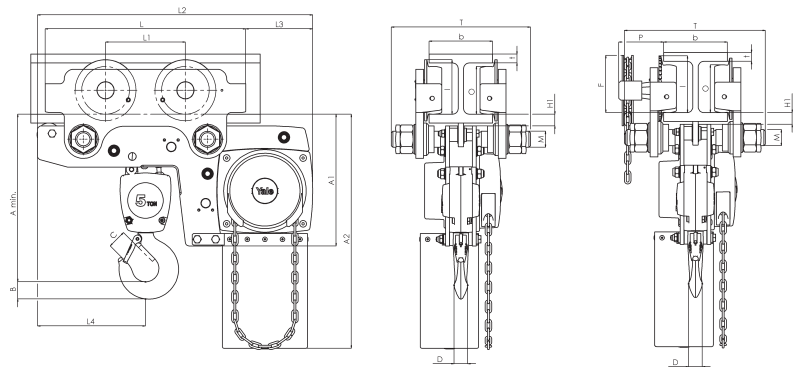


Dimensions Yalelift LH ATEX

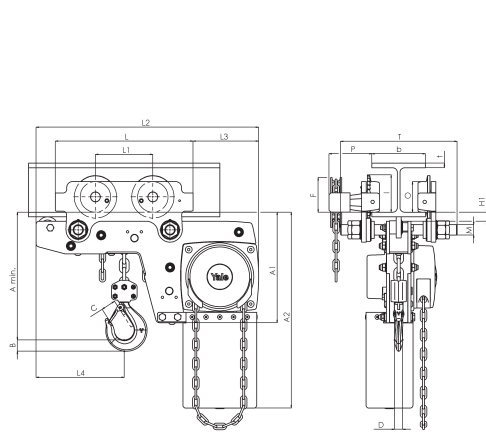
Model	YLLH ATEX 500	YLLH ATEX 1000	YLLH ATEX 2000	YLLH ATEX 3000	YLLH ATEX 5000	YLLH ATEX 10000
A min., mm	188	211	264	316	425	565
A1, mm	223	250	289	346	345	365
A2, mm	381	427	511	614	612	665
B, mm	17	22	30	38	45	68
C, mm	24	29	35	40	47	68
D, mm	14	19	22	30	37	50
F (Geared trolley), mm	92	92	91	107	150	150
H1, mm	24	24	24	32	31	45
I (Push trolley), mm	72	72	96	131	143	170
I (Geared trolley), mm	77	77	98	133	149	170
L, mm	270	310	360	445	525	485
L1, mm	130	130	150	180	209	225
L2, mm	444	488	582	690	720	805
L3, mm	124	135	172	203	175	215
L4, mm	184	201	230	265	283	348
M, mm	M18	M22	M27	M30	M42	M48
O, mm	60	60	80	112	125	150
P (Geared trolley), mm	108	110	112	112	117	165
T (Size A), mm	280	290	305	320	364	440
T (Size B), mm	400	410	425	440	484	540



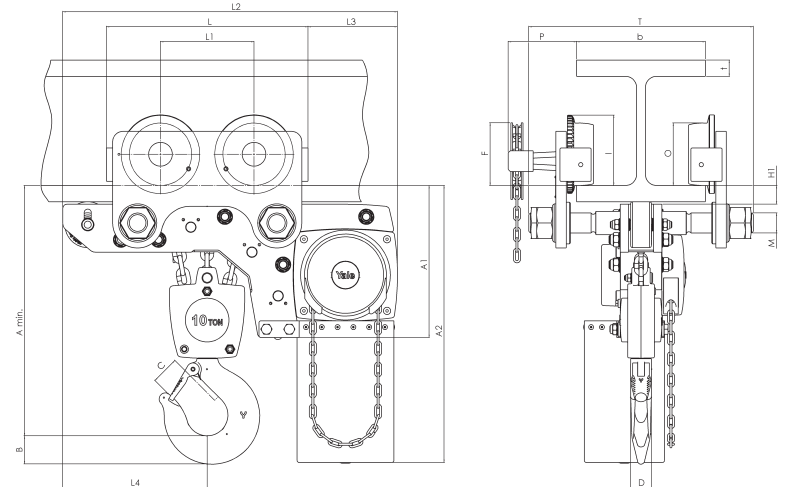
Yalelift LHP ATEX, 500 - 3000 kg, single fall



Yalelift LHP/LHG ATEX, 5000 kg, double fall



Yalelift LHG ATEX, 500 - 3000 kg, single fall



Yalelift LHG ATEX, 10000 kg, three falls