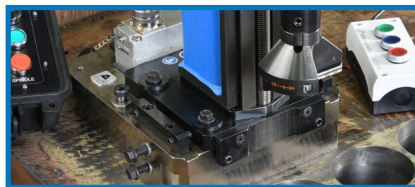
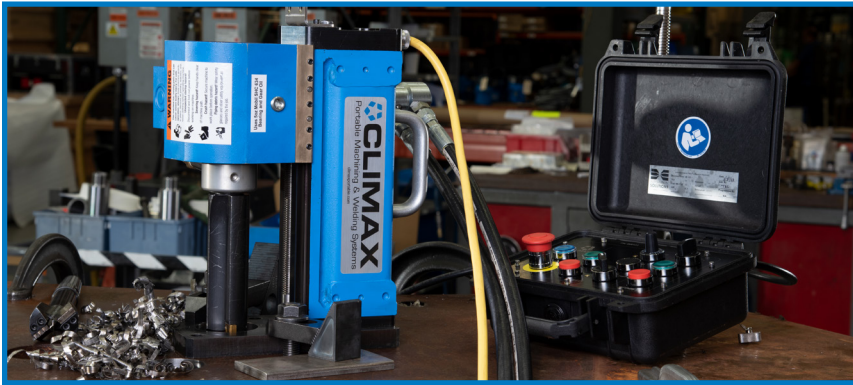


## HIGH-PERFORMANCE DRILLING IN A COMPACT PACKAGE

The customizable, compact drilling machine delivers high-torque performance, allowing you to drill more holes in less time!



### POWER

**High-precision drilling:** Capable of drilling holes up to 4 inches (101.6 mm) in a single pass, ensuring accuracy and reducing the need for multiple operations.

**Controllable axial feed:** Ensures precision and accuracy during the drilling process.

**Compact yet powerful:** Despite their compact size, these heavy-duty drills deliver remarkable power and can handle a wide range of materials.

### RELIABILITY

**Versatile operations:** Capable of reaming, boring, back-spot facing, and rotabroaching, broadening the range of applications.

**Hollow Spindle** allows for drilling toward the base and drilling away from the base.

**Flexible mounting options:** Accommodates standard bolt-on bases or magnetic bases.

**Adjustable quill travel:** Ranges from 7 - 18 inches (177.8 - 457.2), making it adaptable to various drilling depth requirements.

**Electro Permanent Magnet Base:** Offers superior holding force without requiring continuous power, ensuring a stable and reliable setup. The base uses a momentary electric jolt to switch states, maintaining holding force with no further electricity needed.

**Tight Clearance Capability:** Allows the drill to operate effectively within side clearances of 2.5 inches (63.5 mm) and overhead clearances of 15 inches (381 mm), ideal for confined spaces. Can easily clear obstructions and access spaces that many other portable drilling solutions can't reach.

**ISO 9001:2015 certified manufacturing:** Ensures all CLIMAX products are manufactured to the highest quality standards.

**Extensive operating manual:** Contains easy-to-follow tips and includes step-by-step setup instructions for drilling operations.

### SAFETY

**Safety interlock:** The magnetic base is designed with an interlock system to prevent accidental demagnetization during use.

Furthermore, the drill will only operate when the HPU is interlocked and the magnetic base is activated, ensuring safe and reliable performance.

**Remote Pendant:** Allows users to operate the drill from a safe distance.

**Ergonomic design:** The Compact Drilling Machine gives the operator a safer, more ergonomic solution for their drilling application while also improving their time on the job by 30% to 60%.

**CE-certified and globally available:** All Compact Drills are available for sale worldwide, including in the European Union and other locations where CE certification is required.



	CD7	CD10	CD12	CD18
Tool travel	7 in. (177.8 mm)	10 in. (254 mm)	12 in. (304.8 mm)	18 in. (457.2 mm)
Mount style	Bolt on base or optional electro permanent magnet base			
<b>Machine Performance Ranges</b>				
Capacity				
Drilling	4 in. (101.6 mm) in a single pass			
Reaming	1.5 in. (38.1 mm)			
Rotabroach	4.5 in. (114.3 mm)			
Back spot facing	5.1 in. (129.5 mm) max			
<b>Hydraulic Drive System</b>				
Rotational Drive	5.7 cu. in. (93 cm <sup>3</sup> ) or 8.0 cu. in. (131 cm <sup>3</sup> ) hydraulic motor			
Feed motor	90 VDC, 145 W			
Machine taper	#4 Morse Taper			
Max drill speed	120 rpm with the 5.0 cu. in. motor 65 rpm with the 8.9 cu. in. motor			
Variable feed rate	0.06 – 2.5 in. (1.5– 63.5 mm) per minute			
Max torque	350 ft-lbs (475 N•m) with the 5.0 cu. in. motor 640 ft-lbs (868 N•m) with the 8.9 cu. in. motor			
Max axial thrust	1,200 lbs (544 kg)			
Max operating pressure	1,800 psi (124 bar)			
Recommended operating pressure	1,600 psi (110 bar)			
Overall gear reduction	4:1			
<b>Measurements</b>				
Drill tower/rotational drive unit weight	62 lbs (28 kg)	70 lbs (32 kg)	75 lbs (34 kg)	90 lbs (41 kg)
Magnetic base weight	77 lbs (35 kg)			
Drill tower dimensions (L x W x H) (tower with standard base)	10.3 x 8.8 x 16.1 in. (261.6 x 223.5 x 408.9 mm)	10.3 x 8.8 x 19.1 in. (261.6 x 223.5 x 485.1 mm)	10.3 x 8.8 x 21.0 in. (261.6 x 223.5 x 533.4 mm)	10.3 x 8.8 x 27.1 in. (261.6 x 223.5 x 688.3 mm)
Magnetic base dimensions (L x W x H)	11.9 x 9.8 x 3.8 in. (302.3 x 248.9 x 96.5 mm)			
Typical drill performance	Drilling 2.25 in. (57.2 mm) dia. with a Showa Superdrill: 100 rpm at .08 in./min.			

# TOOL CONFIGURATIONS

To order your Compact Drill, select your drill travel and hydraulic power unit, and contact your CLIMAX sales representative.

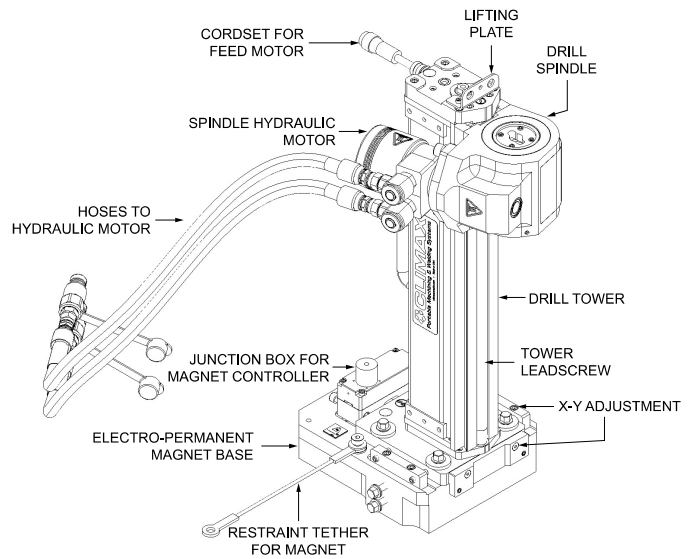
The Compact Drill includes the drill spindle, #4 morse taper adapter, drill tower with lifting hardware, standard base, tool kit, coolant mister, hydraulic motors with optional ISO fittings (5.7 and 8.9 cu inch side port), and metal shipping container.

## Compact Drill

Drill Travel	Part Number
CD7, 7 in. (177.8 mm)	104209
CD10, 10 in. (254 mm)	104210
CD12, 12 in. (304.8 mm)	104211
CD18, 18 in. (457.2 mm)	104212

**Hydraulic Power Unit, 10 HP** (hydraulic hoses and HPU come assembled with series 60 fittings, ISO 16028 fittings are provided for field conversion)

Voltage	Part Number
208-230 V, hose/cable 100 ft (30 M)	90382
380-415 V, hose/cable 100 ft (30 M)	90383
460 V, hose/cable 100 ft (30 M)	90384
575 V, hose/cable 100 ft (30 M)	90385



Model Shown with Optional Magnet Base

## ACCESSORIES

Electro Permanent Magnet Mounting Options	
208-230V Magnet mount and controller	106294
380-415V Magnet mount and controller	106295
460V Magnet mount and controller	106296
<b>End Ported Hydraulic Motor Kit (includes 5.0 cu. in. and 8.0 cu. in. motor)</b>	106682

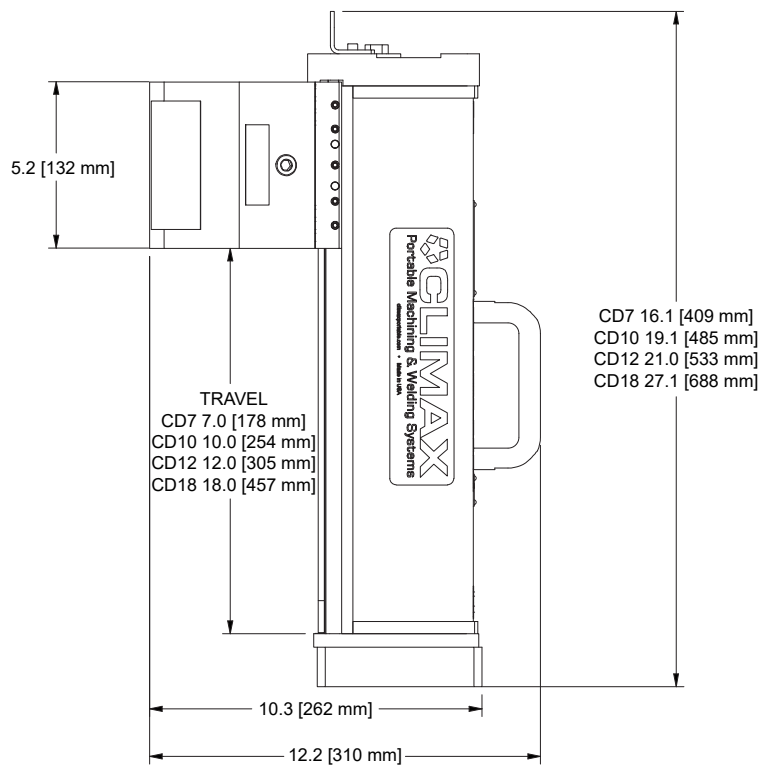
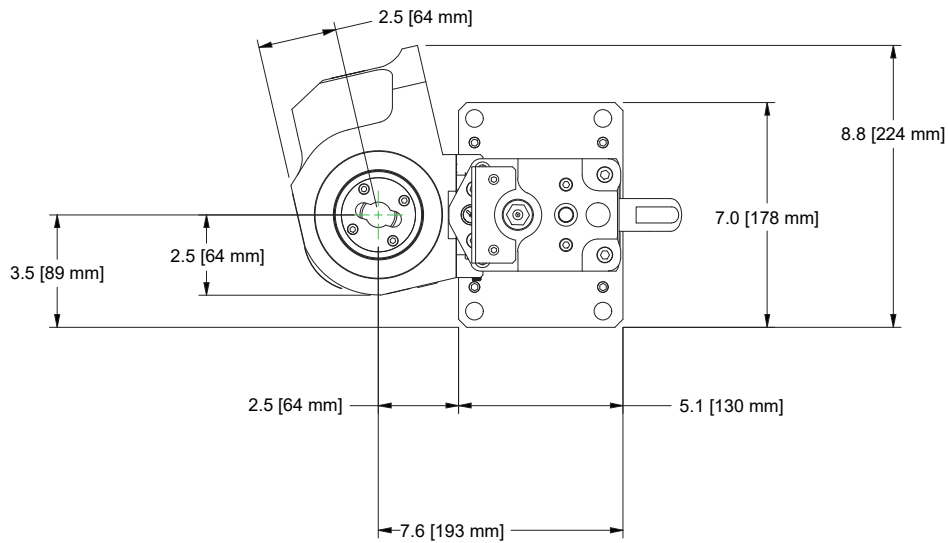
Drill Tooling (not compatible with standard CD7)	
50-55 mm #4 MT Super Drill kit	64213
55-65 mm #4 MT Super Drill kit	64214
65-80 mm #4 MT Super Drill kit	64215
80-100 mm #4 MT Super Drill kit	64216
100-120 mm #4 MT Super Drill kit	64217

The CLIMAX Portable Compact Drills are the go-to choice for experts and professionals when off-the-shelf drilling solutions are not available. These drills excel in situations where components like wind turbines, ships' hulls, or large mining equipment cannot be easily dismantled or transported, saving valuable time and effort.



# OPERATIONAL DIMENSIONS

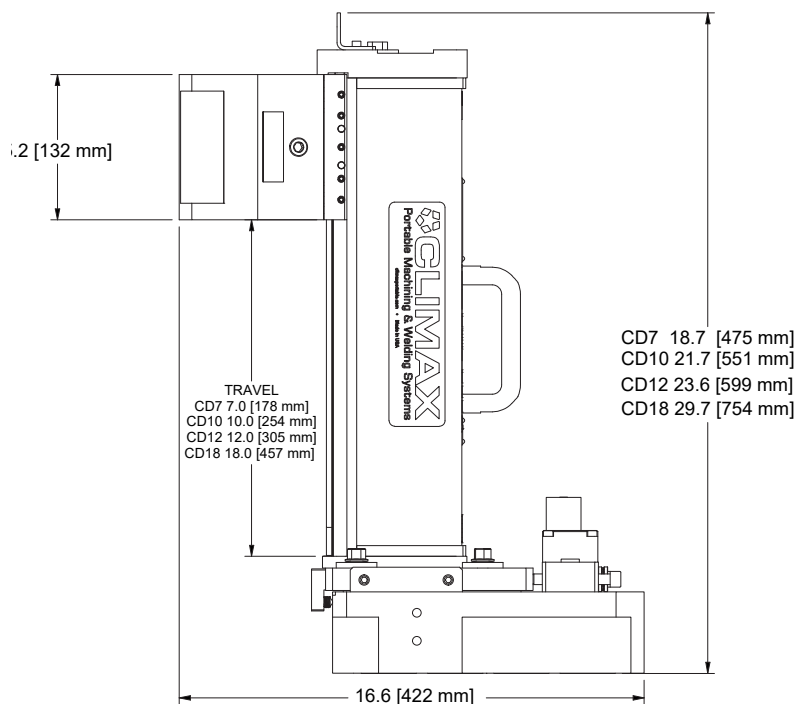
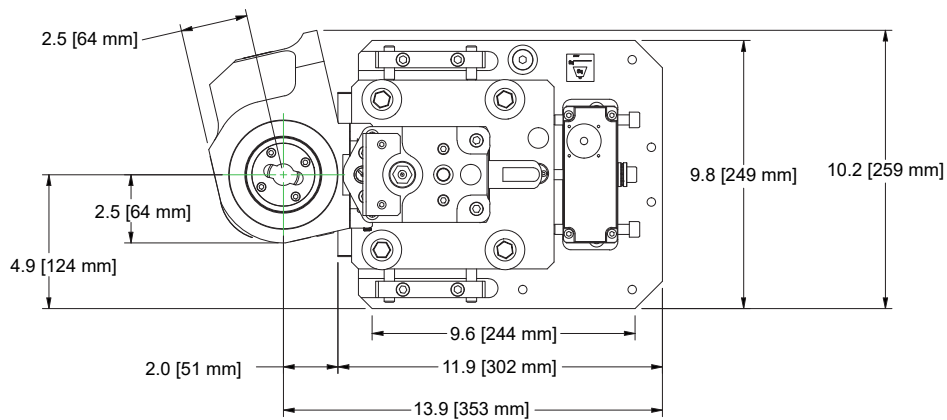
## Compact Drill (Standard Base)



All dimensions should be considered reference. Contact your CLIMAX Representative for precision dimensions. Specifications are subject to change without notice. There are no systems or components on this machine that are capable of producing hazardous EMC, UV or other radiation hazards. The machine does not use lasers nor does it create hazardous materials such as gasses or dust.

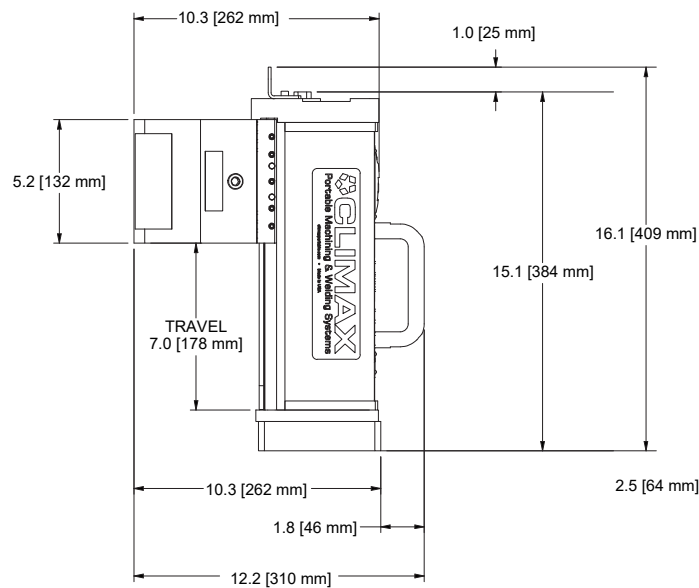
# OPERATIONAL DIMENSIONS

## Compact Drill (Magnet Base)

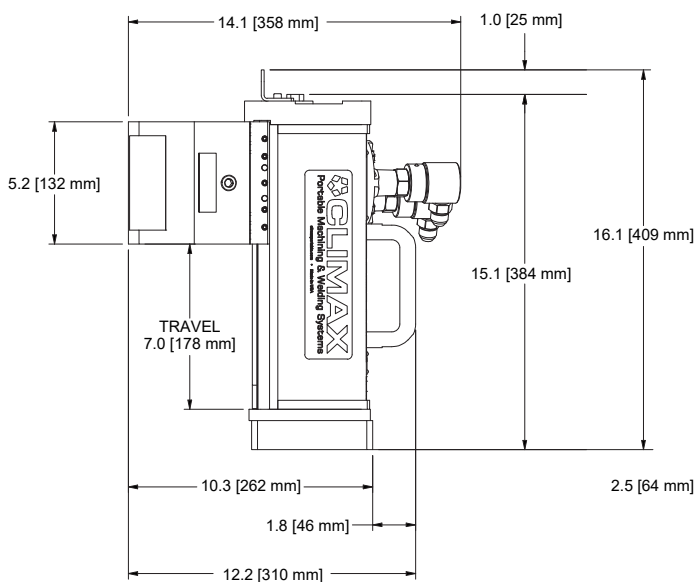
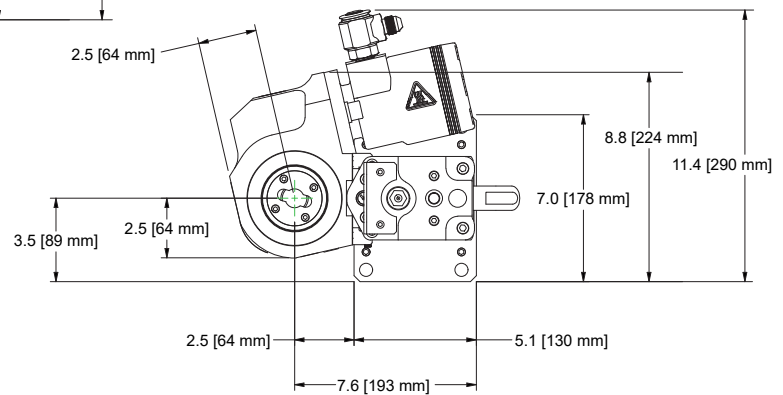


All dimensions should be considered reference. Contact your CLIMAX Representative for precision dimensions. Specifications are subject to change without notice. There are no systems or components on this machine that are capable of producing hazardous EMC, UV or other radiation hazards. The machine does not use lasers nor does it create hazardous materials such as gasses or dust.

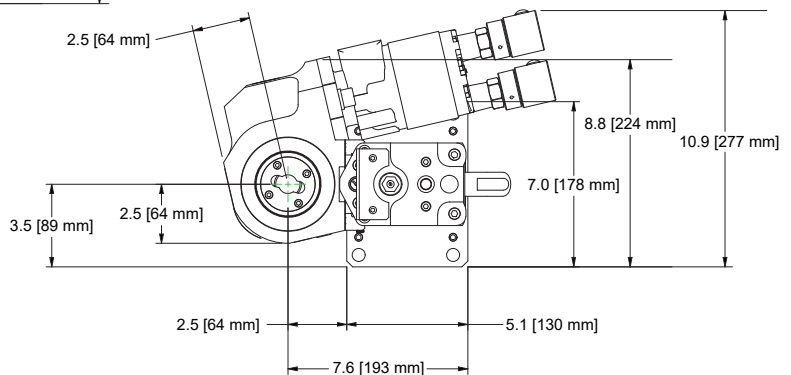
# OPERATIONAL DIMENSIONS



Side Port Motor



End Port Motor



All dimensions should be considered reference. Contact your CLIMAX Representative for precision dimensions. Specifications are subject to change without notice. There are no systems or components on this machine that are capable of producing hazardous EMC, UV or other radiation hazards. The machine does not use lasers nor does it create hazardous materials such as gasses or dust.

# OEM PROFESSIONAL OPERATIONAL TRAINING



## Backed by 60 Years of Experience

CLIMAX pioneered the concept of portable machine tools in 1964. Since that time, CLIMAX has grown to become the world's largest provider of innovative on-site machining solutions.

## Professional, Experienced Instructors

All training programs are taught by experienced OEM CLIMAX trainers. Your instructor will provide valuable information on operator safety, tool set-up, mounting, and operation that will help you complete your on-site machining tasks quickly and to the highest quality standards.

## Typical Courses Include:

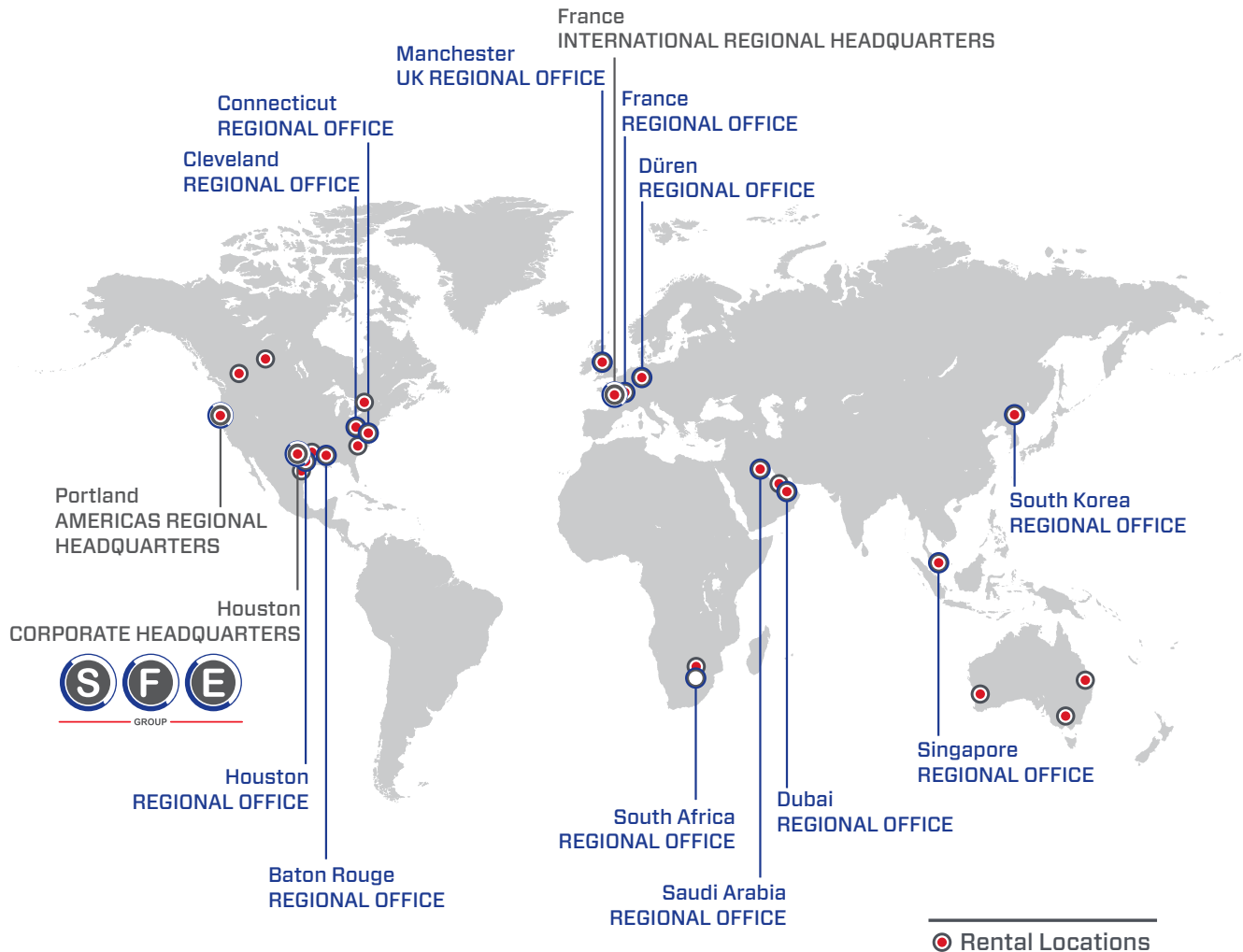
- ✓ Operator safety
- ✓ Tool component review and setup
- ✓ Standard operational techniques
- ✓ Overview of cutting tools and recommend usage
- ✓ Maintenance procedures
- ✓ A certificate of achievement - issued to each student immediately following course completion

Sign up today for training at one of our **eight** Global CLIMAX training centers.

- Portland, Oregon
- Houston, Texas
- Baton Rouge, Louisiana
- Cleveland, Ohio
- Manchester, United Kingdom
- Düren, Germany
- Dubai, United Arab Emirates
- Dammam, Saudi Arabia



# S.F.E. GROUP GLOBAL LOCATIONS



## Call CLIMAX for:

### RENTALS

On selected models. With 20+ worldwide rental depot locations, you are never far away from CLIMAX.

### OEM TRAINING

If you need training or on-site consultation, we're famous for it!

### SPARES, REPAIR & MAINTENANCE

Call us for anything you need to keep your system running in top condition.

### CUSTOM PROJECTS

Custom turn-key system design services from the most experienced engineers in the business!

Follow us on:   

### CORPORATE HEADQUARTERS

**Address:** 4433 South Drive, Houston, Texas 77053, USA  
**Tel:** +1 (713) 747 8502  
**Email:** sales@sfe-brands.com

### AMERICAS HEADQUARTERS

**Address:** 2712 E. 2nd St, Newberg, Oregon 97132, USA  
**Tel:** +1 503 538 2185  
**Email:** info@sfe-brands.com

### INTERNATIONAL HEADQUARTERS

**Address:** 330B Route de Portes Les Valence, ZI les Bosses 26800 Etoile-sur-Rhône, France  
**Tel:** + 33 (0) 475 575 070  
**Email:** sales-int@sfe-brands.com

Copyright © 2024 S.F.E. GROUP All Rights Reserved. S.F.E. GROUP has taken reasonable measures to ensure the accuracy of the information contained in this document. However, S.F.E. GROUP makes no warranties or representations with respect to the information contained herein; and S.F.E. GROUP shall not be held liable for damages resulting from any errors or omissions herein, or from the use of the information contained in this document.

 **CLIMAX**  
Portable Machining & Welding Systems  
AN  GROUP BRAND