

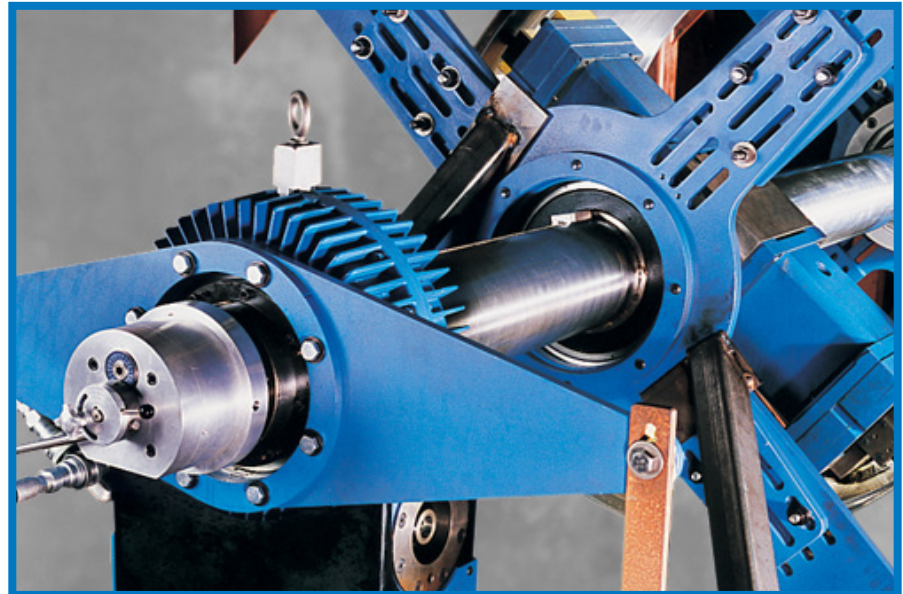
Packing big boring capability into a compact, modular machine, maximizing efficiency and minimizing downtime.

Powerful Yet Compact

- Take the power of a stationary machine to the job site to solve tough machining challenges in record time.
- Using 11.3 in³ (185.3 cm³) Hydraulic motor, produces 4783 ft•lb (6484.9 N•m) of torque at the bar, at 15.1 rpm.
- Compact, modular components allow fast, easy setup, maximizing efficiencies, and minimizing downtime.

Versatile and Flexible

- Machines bores from 14.5 - 85.6 inches (368.3- 2174.2 mm) in diameter, and faces from 14 - 97.1 inches (355.6 - 2466.4 mm) with various facing attachments.
- ID and End mount bearings feature spherical taper-lock roller bearings.
- End mount can be fine adjusted by +/- 0.25 inches (6.35 mm) to center the bar.
- Optional dual action boring/facing arms increase facing range, and allow for both boring and facing without switching equipment. Full-length square ways on boring/facing arms allow for quick positioning anywhere along the arm. Attaches to the net fit tool carrier by compression-clamping, to provide maximum tool stability.
- Machine is highly adjustable. The tool carrier, half nut, alignment of boring/facing arm, and tool carriage can each be adjusted to maximize machining performance.
- Net fit tool carrier can be clamped to bar for facing operations. For boring operations, carrier can be adjusted to remove clearance between carrier and



the bar. This flexibility also ensures maximum rigidity for either operation

- Net fit tool carrier designed with a split frame to simplify installation on the boring bar. It can be configured to use either the boring head set for boring or facing, or the new boring/facing arm assembly.
- With leading & trailing boring head configuration, 2 boring heads can be used simultaneously.
- For even greater facing range with longer radial travel, the new boring/facing arms are available. Setup is quick & easy, featuring industry standard quick-change tooling for both boring and facing operations.
- Highly versatile tool holder block accepts industry standard tooling with a nominal 1 inch (25.4 mm) square shank.
- Tool post on the boring/facing arm can be rotated to provide maximum flexibil-

ity in machining setup (including some cantilevered configurations).

High Quality Design

- Features a uniquely-designed modular tool carrier which provides a new level of strength and rigidity by channeling machining forces directly to the boring bar through strategically-located adjustable guide shoes.
- Hard chromed bars, straight to within 0.001 inch per foot (0.0254 per 304.8 mm)
- Optional gun-drilled bars with optical targets available.
- Adjustable, removable half nut increases net fit tool carrier flexibility. Easy removal of tool carrier allows for machining of multiple bores.
- Backlash adjustment nut allows in-the-field adjustment to eliminate backlash in the tool carrier, and extend the life of the machine.

SPECIFICATIONS

	US	Metric
Boring and Facing Ranges		
Boring diameter range, standard stack block assembly:	14.5 - 85.6 inches	368.3 - 2174.2 mm
Boring diameter range boring/facing arm assembly:		
with 26 inch (660.4) boring/facing arm assembly	28.9 - 43.1 inches	734.1 - 1094.7 mm
with 34 inch (863.6) boring/facing arm assembly	36.5 - 59.1 inches	927.1 - 1501.1 mm
with 53 inch (1346.2) boring/facing arm assembly	55.1 - 97.1 inches	1399.5 - 2466.4 mm
Facing diameter range, mechanical facing head assembly:		
with 5, 8, or 12 inch (127.0, 203.2 or 304.8 mm)	24.5 - 80 inches	622.3 - 2032.0 mm
mechanical facing head assemblies		
(5 and 8 inch facing head assemblies have 8 inch stroke, 12 inch facing head assembly has 12 inch stroke)		
Facing diameter range, slide arm assembly:		
with 26 inch (660.4) boring/facing arm assembly	23.1 - 43.1 inches	586.7 - 1094.7 mm
with 34 inch (863.6) boring/facing arm assembly	23.1 - 59.1 inches	586.7 - 1501.1 mm
with 53 inch (1346.2) boring/facing arm assembly	23.1 - 97.1 inches	586.7 - 2466.4 mm
Facing diameter range, boring/facing arm assembly (tool post reversed):		
("tool post reversed" refers to rotating the tool post so that the tool is on the bar side of the tool post.)		
with 26 inch (660.4) boring/facing arm assembly	26.0 - 32.5 inches	660.4 - 825.5 mm
with 34 inch (863.6) boring/facing arm assembly	34.0 - 48.5 inches	863.6 - 1231.9 mm
with 53 inch (1346.2) boring/facing arm assembly	53.0 - 86.5 inches	1346.2 - 2197.1 mm
Performance Data		
Rotational Drive Unit (RDU) Gear Ratio:	20 : 1	10 : 1 optional (2xfast, 1/2torque)
Hydraulic motor size affects torque and speed		
Theoretical values calculated using a 25 Hp hydraulic power unit producing 2000 psi (13790 kPa) continuous, [normal operation is 1200 psi (8270 kPa)] and pumping 15 gpm (68 l/min).		
Hydraulic motor size range:	7.3 - 17.9 in ³	119.6 - 293.3 cm ³
Boring Bar Torque with 20:1 RDU:	3350 - 6068 ft•lb	4542 - 8227.1 N•m
Max boring rpm with 20:1 RDU:	23.5 - 9.6 rpm	23.5 - 9.6 rpm
For example, with 11.3 in ³ (185.3 cm ³) hydraulic motor (43457):		
Boring Bar Torque with 20:1 RDU:	4783 ft•lb	6484.9 N•m
Max boring rpm with 20:1 RDU:	15.1 rpm	15.1 rpm
Feed Rate of mechanical Axial Feed Unit (AFU):	0.003 - 0.030 in/rev.	0.076 - 0.762 mm/rev.
Feed Rate of electric Axial Feed Unit (AFU)	0 - 0.48 in/min.	0 - 12.2 mm/min.
Measures		
Shipping weight (estimated):		
(machine with RDU, AFU, boring head set, tool carrier, tool kit, and hydraulic motor.)		
for machine (metal crate)	5700 lbs.	2585.5 kg
for machine (wood crate)	5850 lbs.	2653.5 kg
for 1 Bearing	1070 lbs.	485.3 kg
for boring bar	14.5 lbs/inch	2.6 kg/cm
15 Hp or 25 Hp Hydraulic Power Unit	1073 lbs	486.7 kg
Shipping dimensions:		
Machine, in wood crate, W, D, H	39 x 58 x 31.75 inches	469.6 x 863.6 x 602 mm
Machine, in steel crate, W, D, H	30 x 72 x 48 inches	762 x 1828.8 x 1219.2 mm
Bearing (each bearing shipped separately) W, D, H	40 x 40 x 12.7 inches	1016 x 1016 x 322.6
12 foot (365.8 cm) bar W, D, H	24 x 18 x 152 inches	609.6 x 457.2 x 3860.8 mm
15 or 25 Hp Hydraulic Power Unit W, D, H	64 x 30 x 50 inches	1625.6 x 762 x 1270 mm

All dimensions should be considered reference. Contact your CLIMAX Representative for precision dimensions. Specifications are subject to change without notice. There are no systems or components on this machine that are capable of producing hazardous EMC, UV or other radiation hazards. The machine does not use lasers nor does it create hazardous materials such as gasses or dust.

TOOL CONFIGURATIONS

Configure your BB8100 in nine easy steps.

To configure your BB8100 Boring Machine:

- 1 Select a Base Unit
- 2 Select an Axial Feed Assembly
- 3 Select Bearing Assemblies
- 4 Select a Boring Bar
- 5 Select a Hydraulic Motor Assembly
- 6 Select Boring Diameter Ranges
- 7 Select Boring Heads
- 8 Select a Boring/Facing Arm Assembly
- 9 Select a Shipping Container

To configure the boring machine you require, simply select the option you need in each step, then contact your CLIMAX representative.

1 Base Unit

Rotational drive unit, tool carrier assembly, tool kit, and instruction manual.

Base unit, 20:1 gear ratio **54453**

Base unit, 10:1 gear ratio **54454**

2 Axial Feed Assembly

Mechanical axial feed assembly **23393**

Electrical axial feed assembly, 120V **43734**

Electrical axial feed assembly, 230V **40724**

3 Bearing Assemblies

End mount self-aligning bearing assembly w/ spider **23550**

End mount self-aligning bearing assembly, no spider **25074**

ID mount non self-aligning bearing assembly diameter of 23 - 27.5 inches (584.2 - 698.5 mm) **18572**

ID mount non self-aligning bearing assembly diameter of 23 - 35 inches (584.2 - 889.0 mm) **18573**

ID mount non self-aligning bearing assembly diameter of 23 - 49.5 inches (584.2 - 1257.3 mm) **18574**

ID mount non self-aligning bearing assembly diameter of 23 - 63.5 inches (584.2 - 1612.9 mm) **18575**

ID mount non self-aligning bearing assembly diameter of 23 - 77 inches (584.2 - 1955.8 mm) **18576**

Non self-aligning bearing assembly, no spider **18533**

Self-aligning bearing assembly, removable spider legs **102845**

* Multiple units may be ordered.

4 Boring Bar (8 inch (203.2 mm) diameter)

Boring bar assembly, 8 feet (243.8 cm) **34305**

Boring bar assembly, 10 feet (304.8 cm) **34306**

Boring bar assembly, 12 feet (365.8 cm) **34307**

Boring bar assembly, 14 feet (426.7 cm) **34308**

Boring bar assembly, 16 feet (487.7 cm) **34309**

Boring bar assembly, 18 feet (548.6 cm) **34310**

Boring bar assembly, 20 feet (609.6 cm) **34311**

4 Boring Bar , Continued (8 inch (203.2 mm) diameter)

Gun-drilled bars with optical targets: (Multiple units may be ordered)

Boring bar assembly, with optics, 8 feet (243.8 cm) **17602**

Boring bar assembly, with optics, 10 feet (304.8 cm) **17603**

Boring bar assembly, with optics, 12 feet (365.8 cm) **17604**

Boring bar assembly, with optics, 14 feet (426.7 cm) **17605**

Boring bar assembly, with optics, 16 feet (487.7 cm) **17606**

Boring bar assembly, with optics, 18 feet (548.6 cm) **17607**

Boring bar assembly, with optics, 20 feet (609.6 cm) **17608**

5 Hydraulic Motor Assembly

Motor Capacity		Max Bar RPM at (Intermittent Operation Only)				Torque at bar Calculated ft-lbs, (N•m)	Part No. Motors with 60 Series QD Fittings	Part No. Motors with ISO 16028 QD Fittings
In ³	cm ³	RDU Gear Ratio = 10:1						
		8.3 gpm* (31.5 L/min) with 50 Hz mains power	10 gpm* (37.9 L/min) with 60 Hz mains power	15 gpm* (56.8 L/min) maximum continuous	20 gpm* (75.7 L/min) maximum intermittent			
3.6	59	48	58	87	116	621 (842)	43453	84230
5.9	96.7	29	35	53	71	1060 (1437)	43454	84321
7.3	119.6	24	29	43	57	1317 (1786)	43455	84232
8.9	145.8	19	23	35	47	1282 (1738)	43456	84233
11.3	185.2	15	18	28	37	1815 (2461)	43457	84234
14.1	231.1	12	15	22	30	2068 (2804)	43458	84235
17.9	293.3	10	12	17	23	2410 (3268)	43459	84236

Motor Capacity		Max Bar RPM at (Intermittent Operation Only)				Torque at bar Calculated ft-lbs, (N•m)	Part No. Motors with 60 Series QD Fittings	Part No. Motors with ISO 16028 QD Fittings
In ³	cm ³	RDU Gear Ratio = 20:1						
		8.3 gpm* (31.5 L/min) with 50 Hz mains power	10 gpm* (37.9 L/min) with 60 Hz mains power	15 gpm* (56.8 L/min) maximum continuous	20 gpm* (75.7 L/min) maximum intermittent			
7.3	119.6	12	14	21	29	2633 (3570)	43455	84232
8.9	145.8	10	12	18	23	2564 (3476)	43456	84233
11.3	185.2	8	9	14	18	3631 (4923)	43457	84234
14.1	231.1	6	7	11	15	4137 (5609)	43458	84235
17.9	293.3	5	6	9	12	4820 (6535)	43459	84236

6 Boring Diameter Ranges (select tooling in next step)

Stack up blocks, boring diameter range 14.5 - 26.6 inches (368.3 - 675.6 mm) **81254**

Stack up blocks, boring diameter range 14.5 - 38.4 inches (368.3 - 975.4 mm) **81255**

Stack up blocks, boring diameter range 14.5 - 85.6 inches (368.3 - 2174.24 mm) **81256**

7 Boring Heads

Micro adjust boring head 1 inch (multiple units may be ordered for leading & trailing) **79021**

Solid tooling boring head, leading & trailing **81246**

Micro adjust boring head 25 mm **104585**

8 Boring/Facing Arm Assembly

Mechanical facing head assy, 5 inch (127.0 mm) **21115**

Mechanical facing head assy, 8 inch (203.2 mm) **38654**

Mechanical facing head assy, 12 inch (304.8 mm) **22359**

Boring/facing arm assembly, 26 inch (660.4 mm) **54401**

Boring/facing arm assembly, 34 inch (863.6 mm) **54402**

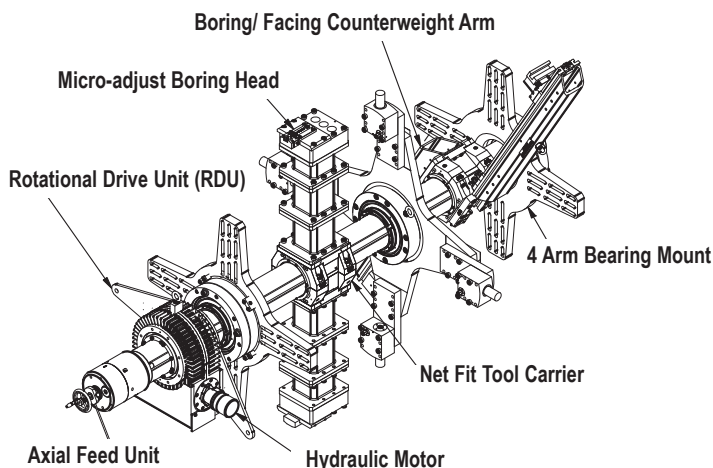
Boring/facing arm assembly, 53 inch (1346.2 mm) **54403**

9 Shipping Container

Plywood hinged crate, 39 x 58 x 31.75 inches (990.6 x 1473.2 x 787.4 mm) **42955**

Metal shipping container, 30 x 72 x 48 inches (762 x 1828.8 x 1219.2 mm) **54368**

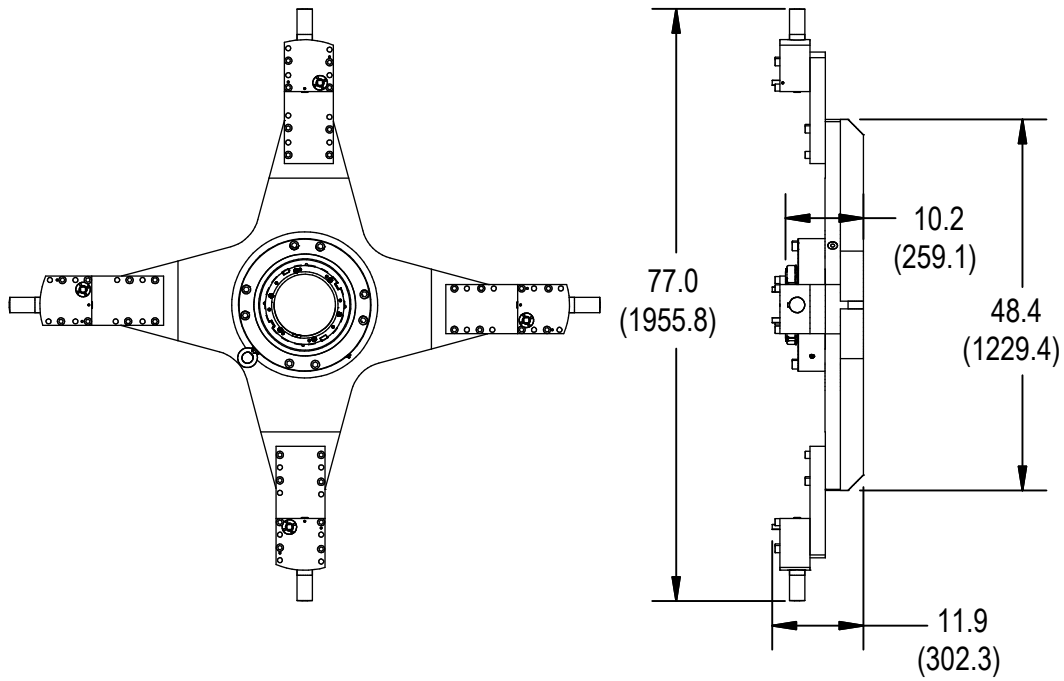
* Machine components only. / Bars and bearings available in wood only.



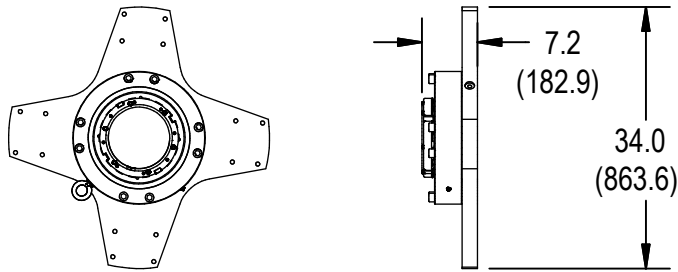
OPERATIONAL DIMENSIONS

Dimensions in Inch (mm)

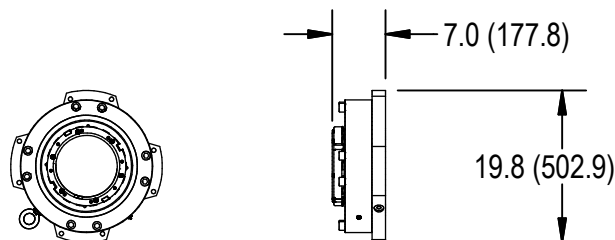
ID Mount 48.5 - 77 inches (1231.9 - 1955.8 mm)



ID Mount 34.25 - 62.75 inches (870.0 - 1593.9 mm)
(Centering Assembly not shown)



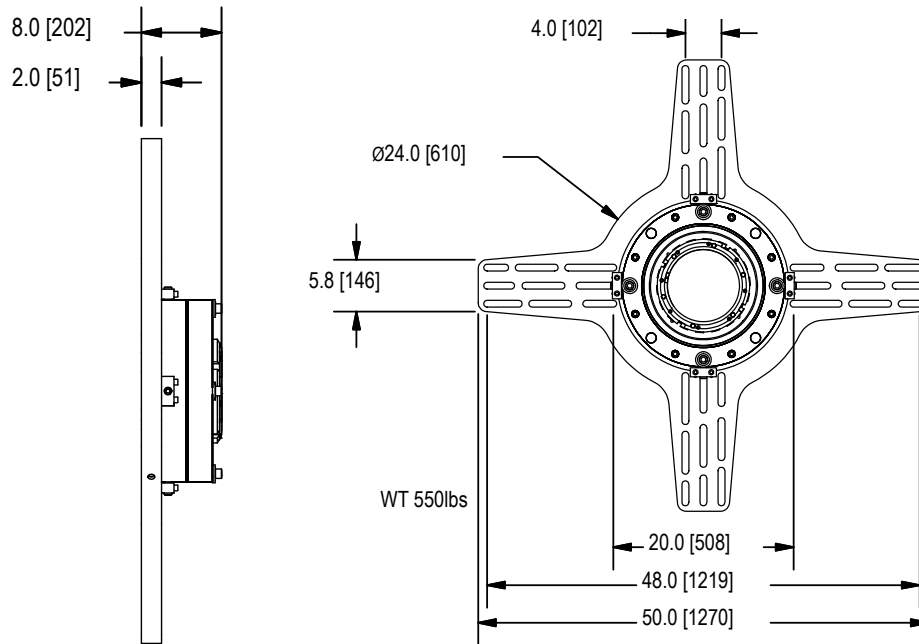
ID Mount 20.0 - 48.5 inches (508.0 - 1231.9 mm)
(Centering Assembly not shown)



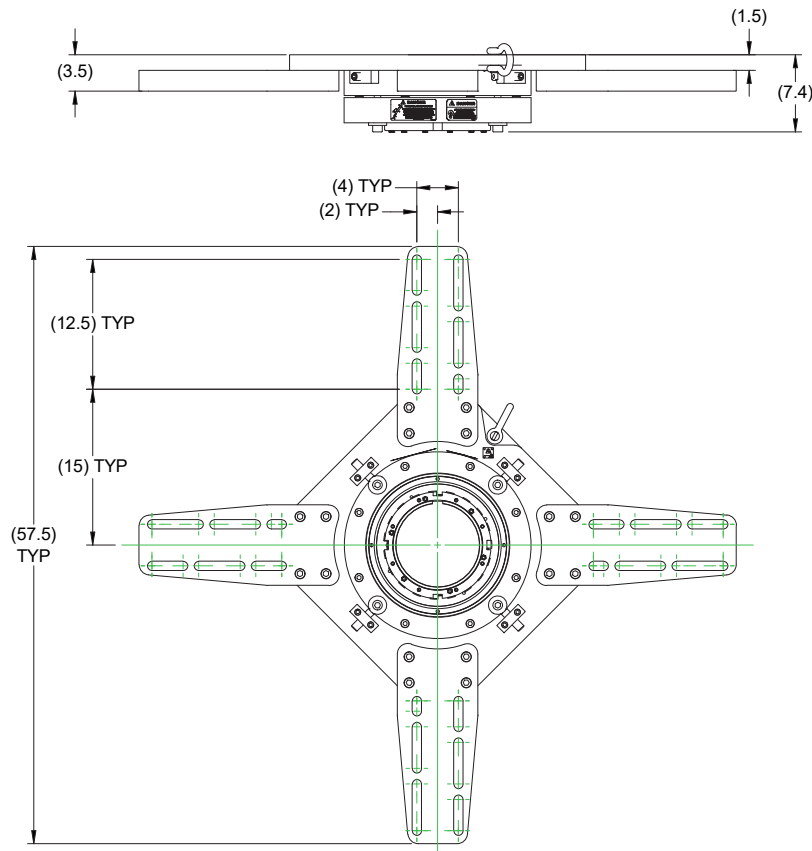
OPERATIONAL DIMENSIONS

Spider Assembly 4-Arm Self-Aligning End Bearing Support

Dimensions in Inch (mm)



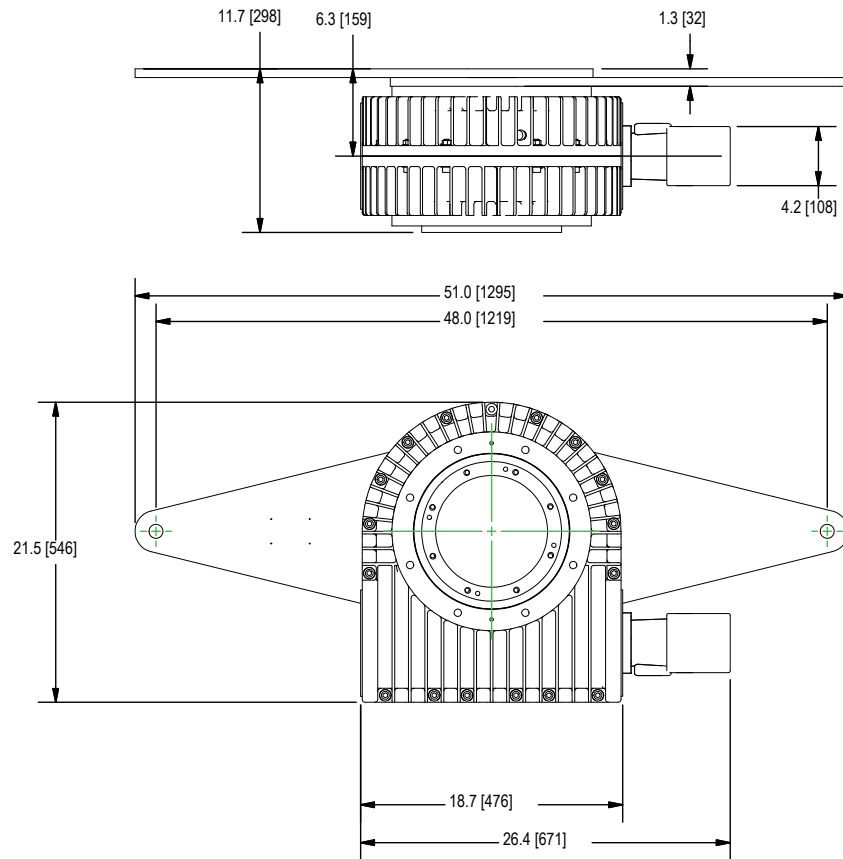
Self-Aligning Bearing Assembly with Removable Spider Legs



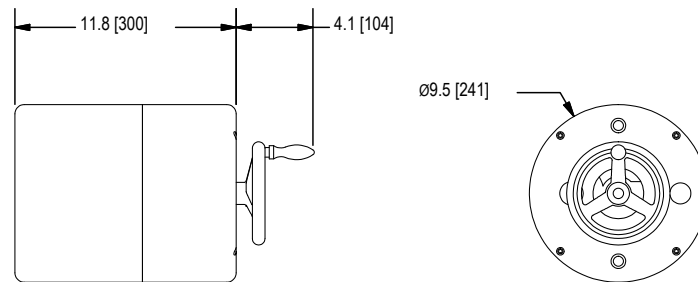
OPERATIONAL DIMENSIONS

Dimensions in Inch (mm)

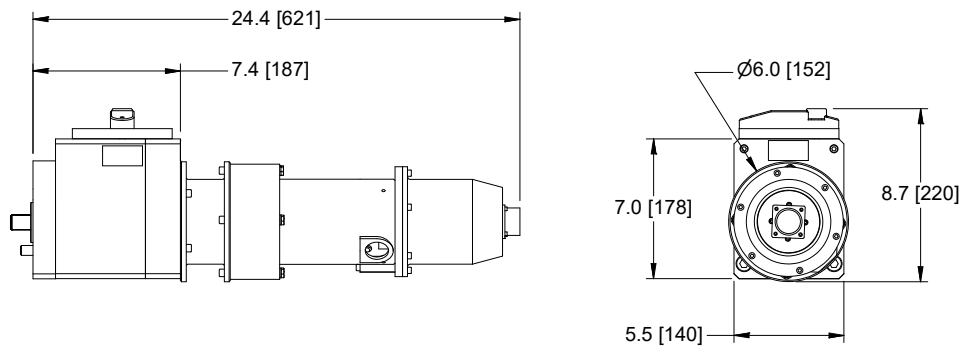
Rotational Drive Unit



Mechanical Axial Feed Assembly



Electrical Axial Feed Assembly



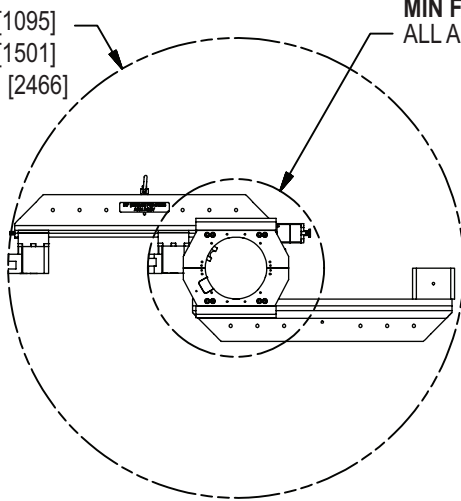
OPERATIONAL DIMENSIONS

Dimensions in Inch (mm)

Slide arm configurations

MAX FACE/BORE

26 [660] Ø43.1 [1095]
 34 [864] Ø59.1 [1501]
 53 [1346] Ø97.1 [2466]

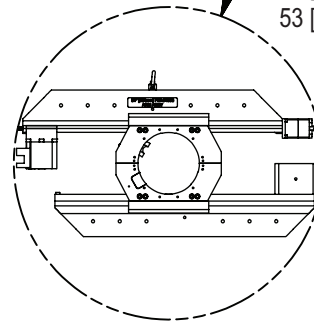


MIN FACE

ALL ARM LENGTHS Ø23.1 [587]

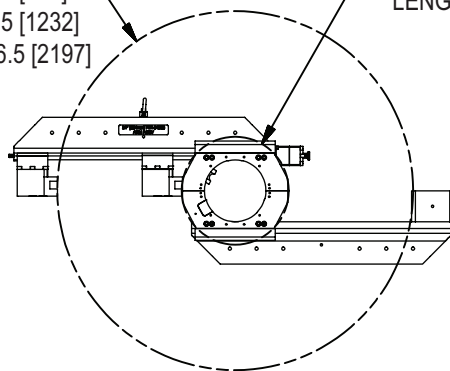
MIN FACE SWING

26 [660] Ø32.9 [835]
 34 [864] Ø40.6 [1031]
 53 [1346] Ø59.2 [1504]



MAX FACE TOOL POST REVERSED

26 [660] Ø32.5 [826]
 34 [864] Ø48.5 [1232]
 53 [1346] Ø86.5 [2197]

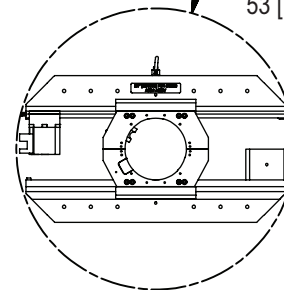


MIN FACE

TOOL POST REVERSED ALL ARM
 LENGTHS Ø14" [356]

MIN BORE

26 [660] Ø28.9 [734]
 34 [864] Ø36.5 [927]
 53 [1346] Ø55.1 [1400]



APPLICATIONS

The BB8100 Portable Boring Machine is widely used by these industries:

Mining

- Drag line repair

Shipbuilding & Ship Repair

- Rudder pin and stern tube boring
- Diesel engine crankshaft and cylinder bore repair
- Turbine housing repair

Industrial

- Stamping press bearing seat repair
- Line boring gear boxes
- Power Generation
- Pump repair
- Turbine repair

OEM OPERATIONAL TRAINING

Backed by Over 50 Years of Experience

CLIMAX pioneered the concept of portable machine tools in 1964. Since that time, CLIMAX has grown to become the world's largest provider of innovative on-site machining solutions.

Professional, Experienced Instructors

All training programs are taught by experienced OEM CLIMAX trainers. Your instructor will provide valuable information on operator safety, tool set-up, mounting, and operation that will help you complete your on-site machining tasks quickly and to the highest quality standards. Part number 00042

Sign up today for training at one of our eight Global CLIMAX training centers.

- Portland, Oregon
- Houston, Texas
- Baton Rouge, Louisiana
- Cleveland, Ohio
- Manchester, United Kingdom
- Düren, Germany
- Dubai, United Arab Emirates
- Dammam, Saudi Arabia



Call CLIMAX for:

RENTALS

On selected models. With 20+ worldwide rental depot locations, you are never far away from CLIMAX.

OEM TRAINING

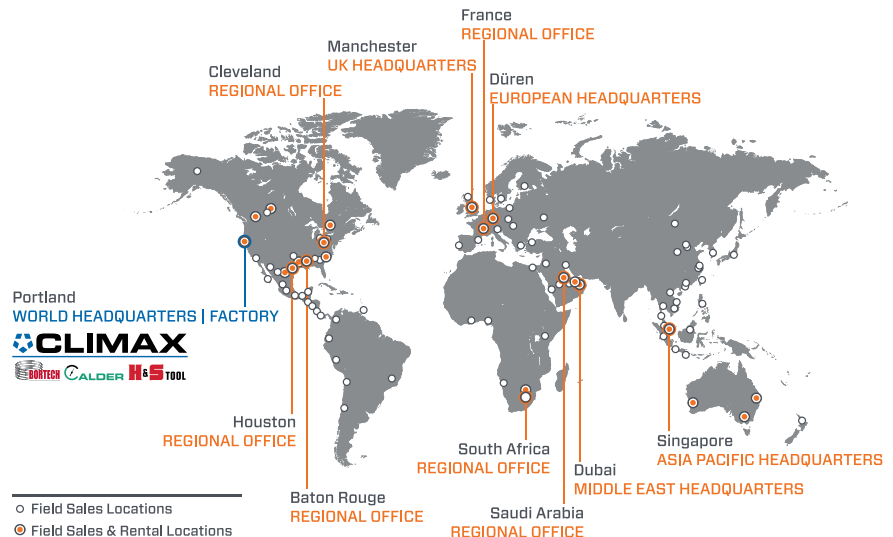
If you need training or on-site consultation, we're famous for it!

SPARES, REPAIR & MAINTENANCE

Call us for anything you need to keep your system running in top condition.

CUSTOM PROJECTS

Custom turn-key system design services from the most experienced engineers in the business!



Follow us on: [f](#) [in](#) [ig](#)

World Headquarters

Address: 2712 E. 2nd St, Newberg, Oregon 97132
Tel: +1 503 538 2185
Fax: +1 503 538 7600
Email: info@cpmt.com

Asia Pacific

Address: 10, Raeburn Park, #02-08, Singapore 088702
Tel: +65 6801 0662
Fax: +65 6801 0699
Email: ClimaxAsia@cpmt.com

European

Address: Am Langen Graben 8, 52353 Düren, Germany
Tel: (+49) (0) 2421 9177 0
Fax: (+49) (0) 2421 9177 29
Email: ClimaxEurope@cpmt.com

Middle East

Address: C9, Phase 5, Light Industrial Units, DSO, Dubai, UAE
Tel: +971 4 321 0328
Email: ClimaxJAE@cpmt.com

United Kingdom

Address: Unit 3 Martel Court, S.Park Business Park, Stockport SK1 2AF
Tel: +44 (0) 161 406 1720
Email: ClimaxUK@cpmt.com

Copyright © 2023 CLIMAX Portable Machining & Welding Systems. All Rights Reserved. CLIMAX has taken reasonable measures to ensure the accuracy of the information contained in this document. However, CLIMAX makes no warranties or representations with respect to the information contained herein; and CLIMAX shall not be held liable for damages resulting from any errors or omissions herein, or from the use of the information contained in this document.

