

VERSATILE. ROBUST. EASY TO USE.

The CALDER HYDROPRO™ Hydraulic Flange Seals (HFS) can efficiently clamp and seal a variety of flanged valves with unsurpassed quality and flexibility for your valve testing needs.



VERSATILE

Mobile flange sealing enables the user to test valves that have multiple flanges as well as valves that aren't straight, like elbow valves, 90's and T's.

Pair with the HYDROPRO™ Universal Flanged Valve Tester and HYDROPRO™ Console for sealing both ends of a valve and performing bi-directional testing.

Adjustable clamp arms are manually adjustable to suit various flange thicknesses and diameters, ensuring that each HFS is capable of clamping to a range of valve sizes.

Select from 9 models depending on clamping capabilities.

Pivoting seal plate enables the seal plate to

pivot and swivel during clamping for better sealing surface contact with the valve flange.

ROBUST

Every component in the HFS pressure circuit is OEM-certified to the maximum specified testing pressure of the system for increased quality, durability and safety.

CE certified and available world-wide! All CALDER products are available for sale world-wide, including in the European Union and other locations where CE certification is required.

ISO 9001 certified manufacturing ensures all CALDER products are manufactured to the highest quality standards.

Standard 2-year warranty is the longest in the industry! We're confident in our quality, and we back it up! And – ask us how to extend your warranty out to 5 years. . .

EASY TO USE

Hydraulic ram quickly seals the flanged valves enabling the operator to conduct a test without using blind flanges.

Engineered to automatically seal on the valve flange when clamping pressure is applied.

Extensive operating manual contains easy to follow tips and includes step-by-step set up instructions for various valve testing operations.

WHY CHOOSE CALDER!



- ⌚ The modular, highly configurable and field-upgradable design of the new CALDER tester platform is the most flexible and cost-effective way to manage all your valve testing requirements. It can grow and evolve your business
- ⌚ The new CALDER test systems are designed to be more accurate and precise than other comparable products
- ⌚ Unique to the valve testing industry, every CALDER component is OEM certified to the maximum pressure specification of the system, for enhanced safety, quality and durability
- ⌚ CALDER offers users the ability to simultaneously test multiple valves with one system
- ⌚ Unmatched in the industry, all CALDER systems are backed by a 2 year warranty
- ⌚ CALDER has global reach and local support through CLIMAX's vast world-wide network
- ⌚ CALDER offers a complete line of Valve Repair Machines for lapping, grinding and specialized valve machining operations
- ⌚ CALDER offers a full portfolio of Test Barriers and Hydraulic Seal Clamps among other products
- ⌚ CALDER offers SMARTEST™ intelligent data acquisition, analysis and control systems for use with our testers
- ⌚ Custom turn-key system design services from the most experienced engineers
- and valve test experts in the business
- ⌚ Outrageously good customer service. We are available 24/7!
- ⌚ End-to-End Solutions; from products, consulting, engineering, custom design, training, start-up, after-sale service, spare parts, repair, and rentals, CALDER offers unmatched value in our industry
- ⌚ All CALDER products are CE certified and manufactured in our ISO 9001 certified factory
- ⌚ All CALDER products are proudly made in the USA



SPECIFICATIONS

HFS-2							
Valve Coverage (Flat / Raised Face Flanges)	Valve Size (nominal)	ANSI Class					
		150	300	600	900	1500	2500
		Maximum Test Pressure PSI (Bar)					
	Inch (mm)	450 PSI (31 Bar)	1125 PSI (76 Bar)	2250 PSI (155 Bar)	3375 PSI (233 Bar)	5625 PSI (388 Bar)	9375 PSI (646 Bar)
	½ (12.7)	√	√	√	√	√	√
	¾ (19.1)	√	√	√	√	√	√
	1 (25.4)	√	√	√	√	√	
	1 ¼ (31.8)	√	√	√			
	1 ½ (38.1)	√	√	√			
	2 (50.8)	√					
Specs	Hydraulic Clamping: 10 tons (9.1 tonnes)						
	Approximate dimensions: 7.7 L x 6.7 W x 14.5 H inch (196 L x 170 W x 368 H mm)						
	Approximate weight: machine 26 lbs (11.8 kgs) / shipped 50 lbs (22.7 kgs)						

HFS-4							
Valve Coverage (Flat / Raised Face Flanges)	Valve Size (nominal)	ANSI Class					
		150	300	600	900	1500	2500
		Maximum Test Pressure PSI (Bar)					
	Inch (mm)	450 PSI (31 Bar)	1125 PSI (76 Bar)	2250 PSI (155 Bar)	3375 PSI (233 Bar)	5625 PSI (388 Bar)	9375 PSI (646 Bar)
	2 (50.8)	√	√	√	√	√	
	3 (76.2)	√	√	√	√		
	4 (101.6)	√	√				
Specs	Hydraulic Clamping: 25 tons (22.7 tonnes)						
	Approximate dimensions: 12.6 L x 10.9 W x 17.5 H inch (320 L x 277 W x 445 H mm)						
	Approximate weight: machine 68 lbs (30.8 kgs) / shipped weight: 85 lbs (38.6 kgs)						

HFS-6							
Valve Coverage (Flat / Raised Face Flanges)	Valve Size (nominal)	ANSI Class					
		150	300	600	900	1500	2500
		Maximum Test Pressure PSI (Bar)					
	Inch (mm)	450 PSI (31 Bar)	1125 PSI (76 Bar)	2250 PSI (155 Bar)	3375 PSI (233 Bar)	5625 PSI (388 Bar)	9375 PSI (646 Bar)
	2 (50.8)						√
	3 (76.2)				√	√	
	4 (101.6)	√	√	√	√		
	5 (127)	√	√	√			
	6 (152.4)	√	√	√			
Specs	Hydraulic Clamping: 55 tons (49.9 tonnes)						
	Approximate dimensions: 15.4 L x 17.7 W x 22.4 H inch (391 L x 450 W x 567 H mm)						
	Approximate weight: machine 155 lbs (70.3 kgs) / shipped 200 lbs (90.7 kgs)						

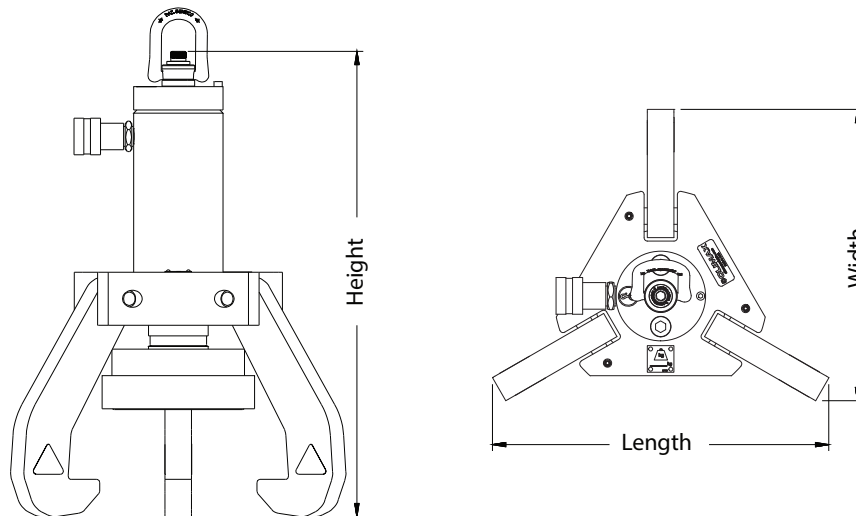
HFS-10							
Valve Coverage (Flat / Raised Face Flanges)	Valve Size (nominal)	ANSI Class					
		150	300	600	900	1500	2500
		Maximum Test Pressure PSI (Bar)					
	Inch (mm)	450 PSI (31 Bar)	1125 PSI (76 Bar)	2250 PSI (155 Bar)	3375 PSI (233 Bar)	5625 PSI (388 Bar)	9375 PSI (646 Bar)
	3 (76.2)						√
	4 (101.6)					√	
	5 (127)			√	√	√	
	6 (152.4)		√	√	√		
	8 (203.2)	√	√	√			
	10 (254)	√	√				
Specs	Hydraulic Clamping: 100 tons (90.7 tonnes)						
	Approximate dimensions: 19.9 L x 22.9 W x 27 H inch (506 L x 582 W x 686 H mm)						
	Approximate weight: machine 342 lbs (155 kgs) / shipped 400 lbs (181 kgs)						

SPECIFICATIONS



HFS-14							
Valve Size (nominal)	Valve Coverage (Flat / Raised Face Flanges)	ANSI Class					
		150	300	600	900	1500	2500
		Maximum Test Pressure PSI (Bar)					
		450 PSI (31 Bar)	1125 PSI (76 Bar)	2250 PSI (155 Bar)	3375 PSI (233 Bar)	5625 PSI (388 Bar)	9375 PSI (646 Bar)
Inch (mm)							
8 (203.2)			√				
10 (254)		√					
12 (304.8)	√	√					
14 (355.6)	√						
Specs Hydraulic Clamping: 100 tons (90.7 tonnes) Approximate dimensions: 25.1 L x 25.1 W x 26.3 H inch (638 L x 638 W x 668 H mm) Approximate weight: machine 493 lbs (223 kgs) / shipped 550 lbs (249 kgs)							

Dimensional Drawing (see specs for model specific dimensions)



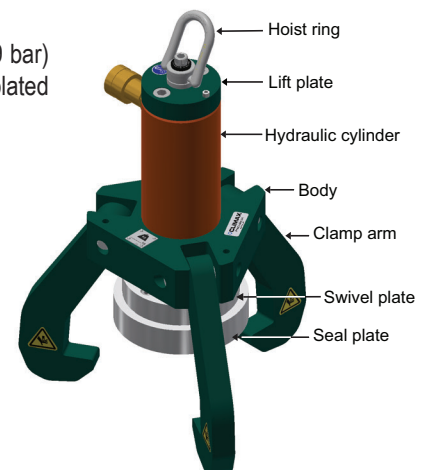
All dimensions should be considered reference. Contact your Calder Representative for precision dimensions. Specifications are subject to change without notice. There are no systems or components on this machine that are capable of producing hazardous EMC, UV or other radiation hazards. The machine does not use lasers nor does it create hazardous materials such as gasses or dust.

HFS CONFIGURATIONS

The **HydroPro™ Hydraulic Flange Seals, HFS** comes standard with 10,000 PSI (679 bar) rated hydraulic clamping components and plumbing, adjustable clamp arms, nickel plated steel seal plate, lifting hoist rings, hydraulic clamping chart and operators manual.

HFS with O-ring flange seal plate

Model	PN
HFS-2	88524
HFS-4	88525
HFS-6	88527
HFS-10	88528
HFS-14	88529



CALDER VALVE INSTITUTE AND CARE PROGRAM

The Right Training by the Right People!

Our engineers and valve test experts have been teaching the fundamentals and fine points of valve testing operation for as long as we've been inventing and building advanced valve testing systems.

Professional, Experienced Instructors

All training programs are taught by our professional and experienced OEM CALDER trainers. Your instructor will provide valuable information on operator safety, valve test system set-up, operation, and how to keep your valve tester in top operating condition.

Sign up today for training at one of our seven Global CLIMAX | CALDER training centers.

- Portland, Oregon
- Houston, Texas
- Baton Rouge, Louisiana
- Cleveland, Ohio
- Manchester, United Kingdom
- Düren, Germany
- Dubai, United Arab Emirates



CALDER CARE PROGRAM

Preventative maintenance and service package includes:

- ✓ Parts Replacement Guarantee – All parts replaced for the term of the package
- ✓ On-Site Preventive Maintenance – Yearly PM visit by a Certified CALDER Service Technician
- ✓ Technical Assistance by Phone – A CALDER CARE Hotline for 24/7 US-based expert advice from repair professionals
- ✓ Extended Warranty Coverage – CALDER is the only company in our industry with a standard 2 year warranty and offering extended warranty programs out to 5 years!

Call CLIMAX | CALDER for:

RENTALS

On selected models. With 20+ worldwide rental depot locations, you are never far away from CLIMAX.

OEM TRAINING

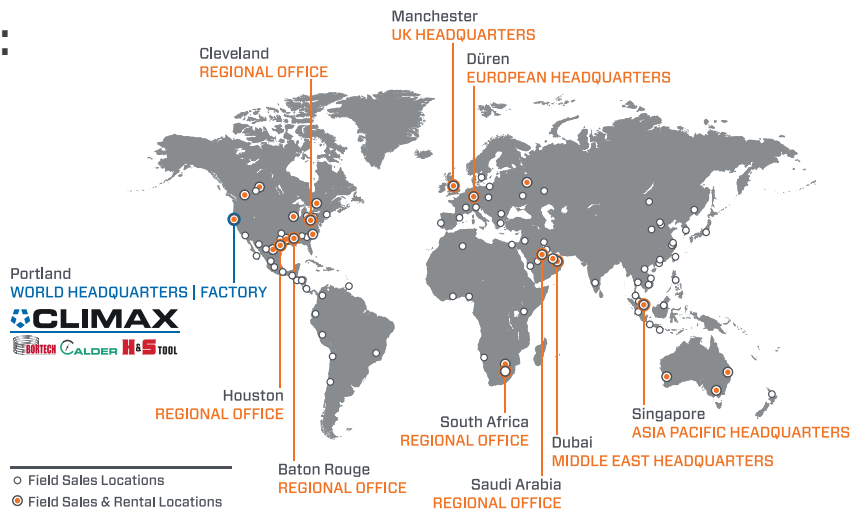
If you need training or on-site consultation, we're famous for it!

SPARES, REPAIR & MAINTENANCE

Call us for anything you need to keep your system running in top condition.

CUSTOM PROJECTS

Custom turn-key system design services from the most experienced engineers in the business!



Follow us on: [f](#) [in](#) [ig](#)

World Headquarters

Address: 2712 E. 2nd St, Newberg, Oregon 97132
 Tel: +1 503 538 2185
 Fax: +1 503 538 7600
 Email: info@cpmt.com

Asia Pacific

Address: 10, Raeburn Park, #02-08, Singapore 088702
 Tel: +65 6801 0662
 Fax: +65 6801 0699
 Email: ClimaxAsia@cpmt.com

European

Address: Am Langen Graben 8, 52353 Düren, Germany
 Tel: (+49) (0) 2421 9177 0
 Fax: (+49) (0) 2421 9177 29
 Email: ClimaxEurope@cpmt.com

Middle East

Address: Address: C9, Phase 5, Light Industrial Units, DSO, Dubai, UAE
 Tel: +971 4 321 0328
 Email: ClimaxUAE@cpmt.com

United Kingdom

Address: Unit 3 Martel Court, S.Park Business Park, Stockport SK1 2AF
 Tel: +44 (0) 161 406 1720
 Email: ClimaxUK@cpmt.com

Copyright © 2022 CLIMAX All Rights Reserved. CLIMAX has taken reasonable measures to ensure the accuracy of the information contained in this document. However, CLIMAX makes no warranties or representations with respect to the information contained herein; and CLIMAX shall not be held liable for damages resulting from any errors or omissions herein, or from the use of the information contained in this document.

